

EUR-PROXE

External Proximity Tag Reader
(EUR-108X, EUR-108, PCX-EXT-W/BK)



EN50131-3:2009
EN50131-1:2006+A1:2009
PD6662:2010
Security Grade 3
Environmental Class IV



ENGLISH

Installation Notes

NOTE: The reader module can be mounted on typical building materials; such as wood, PVC, brick or metal etc. If you do encounter any problems with different surfaces, please contact customer.support@pyronix.com

References:

- A** Black: D1-. Red: D2+. Yellow: D3. Blue: D4.
Brown(1), Orange(2), Green(3): Used for addressing. Light Blue: Lock Relay.
Pink: Request to Exit. White, Grey: Door Monitoring. Purple: Door Alarm Monitoring
- B** ASSIGN KEYPADS/READERS (Programming Menu Required). Use the brown, orange and green wires to address the Reader.
- C** Connecting a Mag Lock: Use the light blue wire. The diagram shows the relay mag lock control switching positive.
- D** Connecting a Request to Exit: Use the pink wire. The diagram shows a normally open request to exit button, and takes "0V" from the control panel.
- E** Connecting Door Monitoring: Use the white and grey wire. The door monitor input needs to be programmed as the first input number of the reader address (programmed as "Entry Delay"). If the door contact is forced open without presenting a valid tag or pressing the push to exit button, then the panel will go into an alarm. **NOTE:** The DEOL values must be 4K7, 2K2 as shown. This does not affect the control panel DEOL values.
- F** Connecting Door Alarm Monitoring: Use the purple wire. When the door monitor exceeds the door open time or if the door is forced open then the alarm PGM will generate an alarm. The input at the control panel should be programmed as "24 Hour" or "Day Alarm" and the attribute programmed as "Normally Open".

- G** Lock Open Time: This is the time the door release is going to be active when a valid tag is presented.
- H** Door Open Time: This is the time the door is allowed to be open before triggering an alarm.

The External Prox Reader

Specification

Supply voltage: 9-15VDC
Current consumption: Max 22mA
Input status when reader is Arm/Disarm or Sub-Area Control:
Input: Programmable
Input EOL resistor value: DEOL or SEOL. Alarm=4K7 / Tamper=2K2
Input status when reader is used as Access or Door Entry Control:
Input: Programmable
Input Function: Door monitor feature. Door opening time limit is programmable from the Engineer menu.
Input DEOL resistors: NC
Input 2: Not programmable
Output 1: Not programmable. Activates the Door Lock Relay
Output 2: Not programmable. Door monitor alarm activation (forced or open for longer than programmed time).
Output 1/2 Normal state: Floating
Output 1/2 Active state: 0V
Colour and Casing: 3mm ABS (Black: PCX-EXT-BK, White: PCX-EXT-W)
Temperature (certified/storage): Storage:-25°C to 60°C

Dimensions (H x W x D): 85 x 85 x 21mm

IP65 Rated
If the control panel fails to arm, this is indicated by a broken tone on the external proximity reader and the red LED will not illuminate. If this occurs, please check the information at the nearest keypad.
Note: Access control falls outside the scope of EN 50131

Warranty

This product is sold subject to our standard warranty conditions and is warranted against defects in workmanship for a period of two years. In the interest of continuing care and design, Pyronix Ltd reserves the right to amend specifications, without giving prior notice.

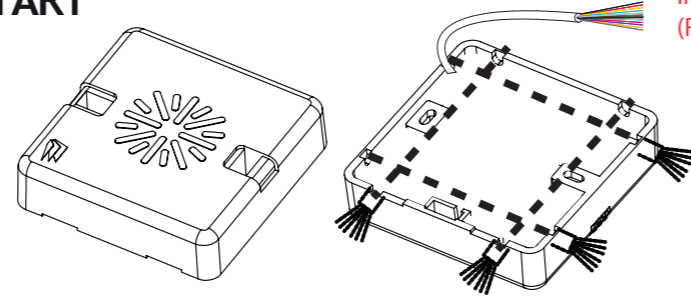
Product Warning Information

For electrical products sold within the European Community. At the end of the electrical products life, it should not be disposed of with household waste. Please recycle where facilities exist. Check with your Local Authority or retailer for recycling advice in your country.

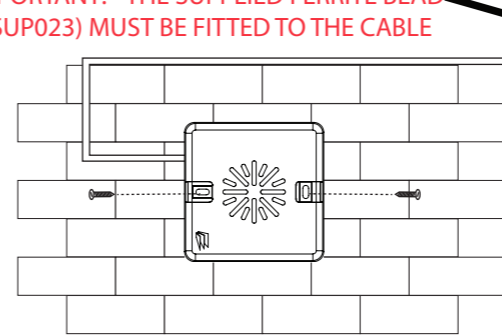
Compatible Products

The EUR-108 can be connected to the following control panels/devices:
EURO 46, EURO 162, 280 and IP panels, and Enforcer 32-WE.
Each control panel/device connects via the RS485 bus terminals: D1-,D2+,D3,D4
NOTE: For information about programming tags to the external reader, please see the control panel user manual.

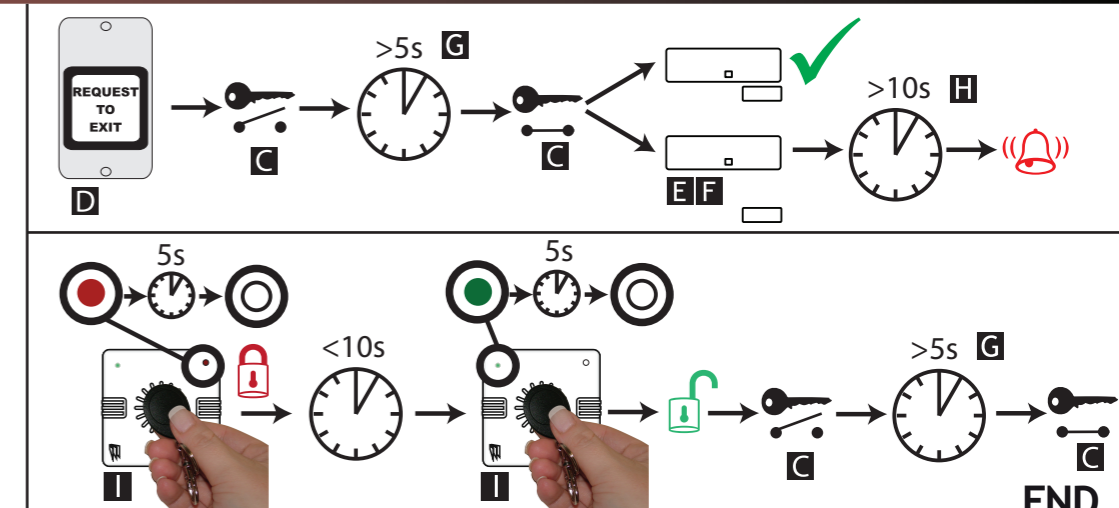
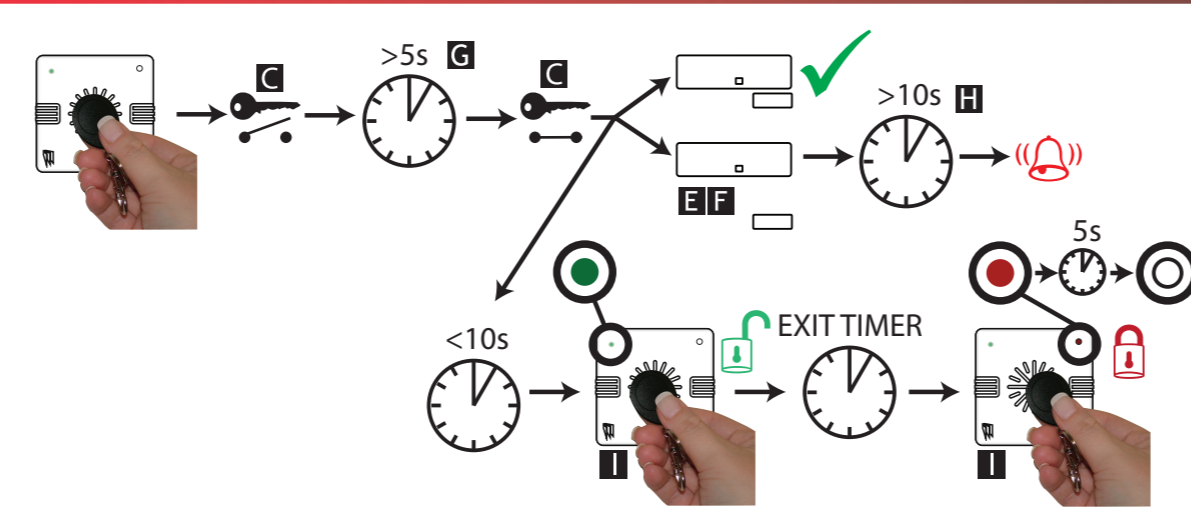
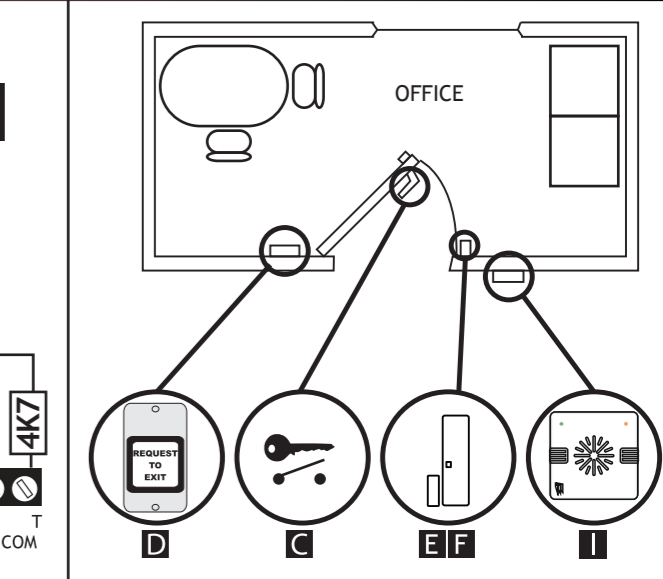
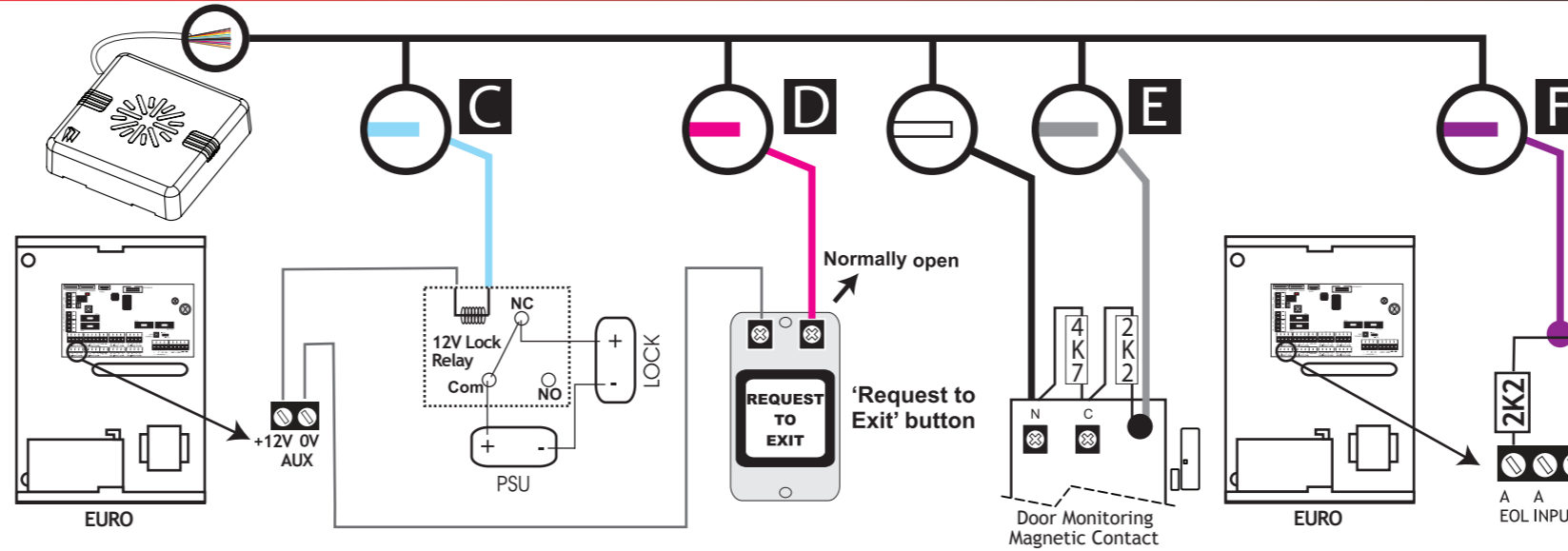
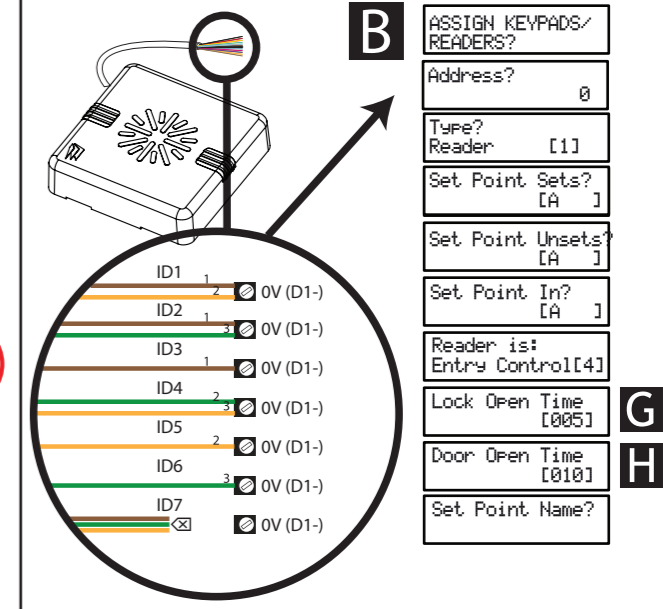
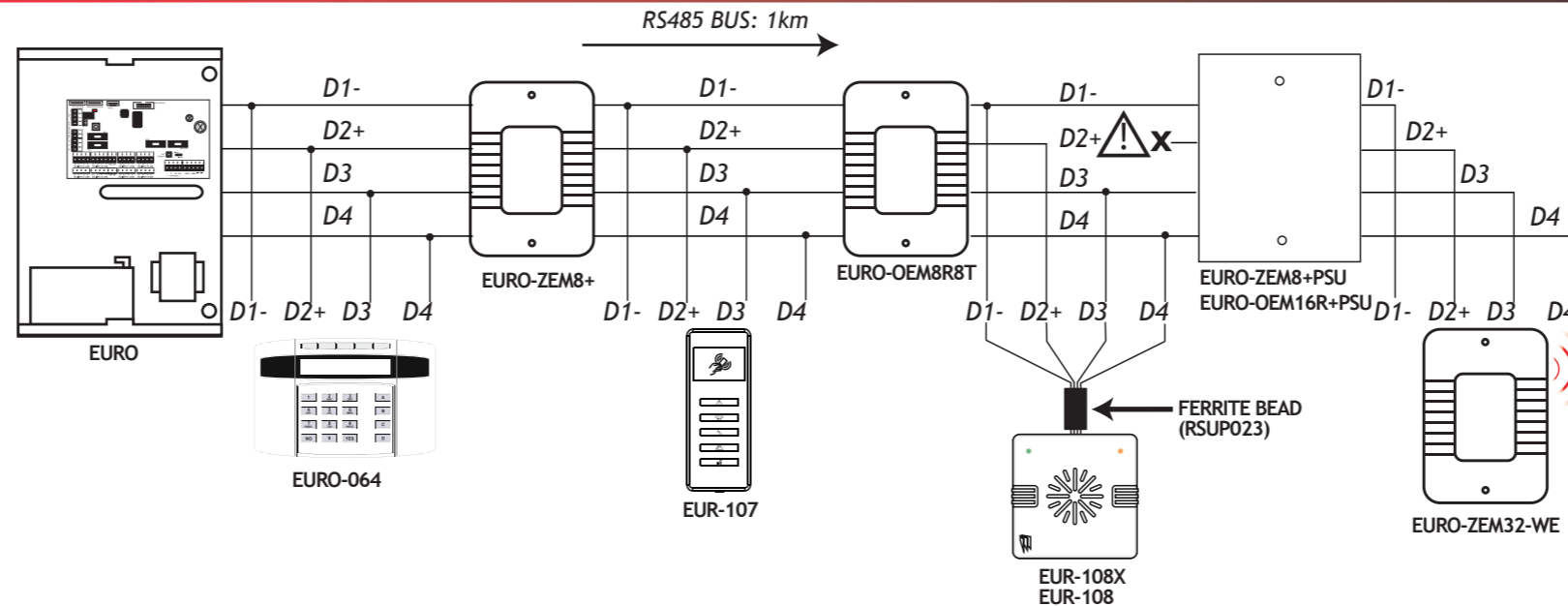
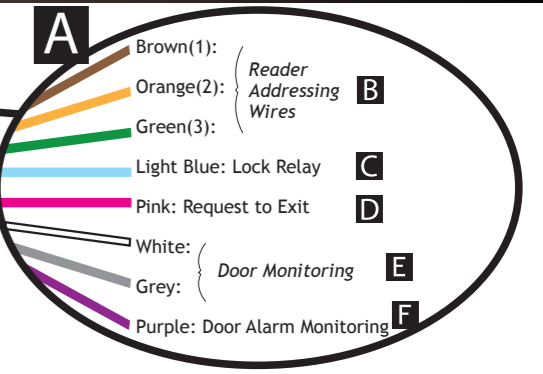
START



IMPORTANT! - THE SUPPLIED FERRITE BEAD (RSUP023) MUST BE FITTED TO THE CABLE



RS485 BUS: 1km



END