

# PPM300 User Manual



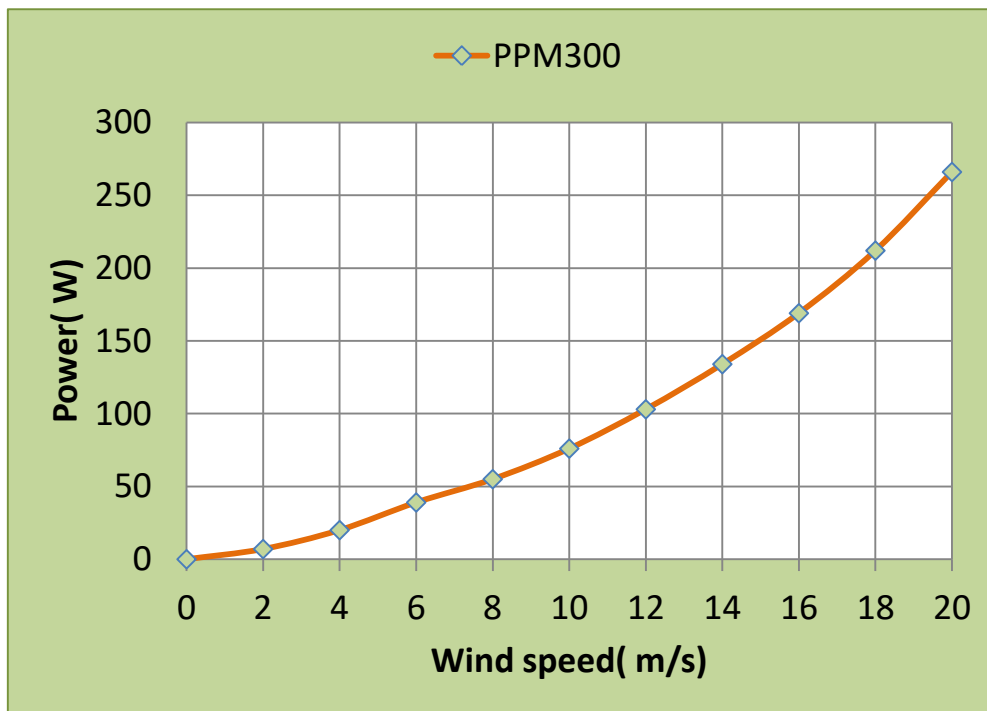
## **Caution:**

- 1. Thank you for purchasing the M-series WTGS. Please refer to the manual before installation;**
- 2. The installation should be done by the experienced technicians. Please refer to the manual strictly;**
- 3. Do not open the generator or controller without instructions while doing the maintenance.**
- 4. Please install the system under no-wind weather.**
- 5. The series are street lighting wind generators and do not recommend for family power generation.**

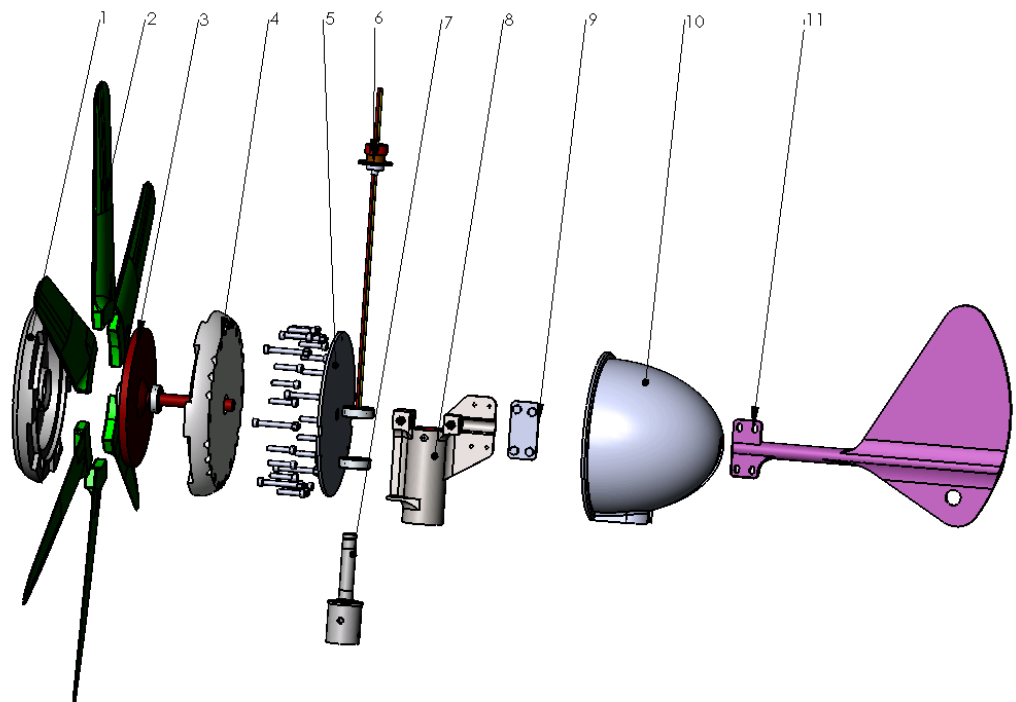
## 1. Technical Parameter

<b>Model</b>	<b>PPM300</b>
Rated Voltage (DCV)	12/24V
Rated output (W)	100
Start-up wind speed (M/S)	1.5
Max speed survival rate (M / S)	35
Rated wind speed (M / S)	12
Stopping speed (M / S)	20
Blade No.	6
Rotor diameter (cm)	82
Noise level	<30Db
Controller	Built-in pwm
Protection mode	Short circuit
Lifetime (years)	15-20
Protection grade	IP65
Package size (mm)	460*390*300
Gross weight (kg)	12.5

## 2. Power Curve



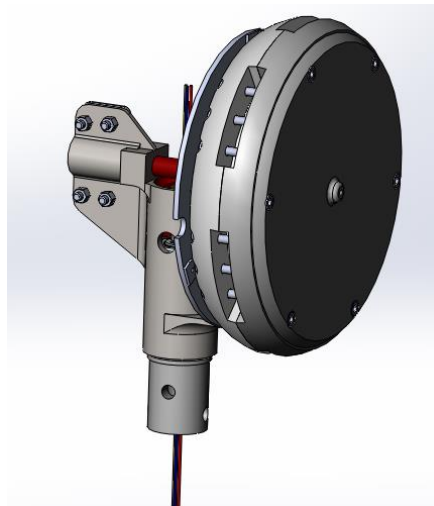
## 3. Structure



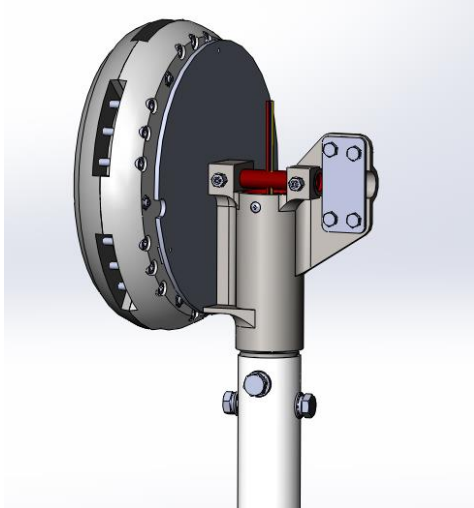
No.	Description	No.	Description
1	Front cover	7	Gyro support
2	Blades	8	Gyro
3	Stator	9	Pressing plate
4	Back cover	10	Back nose cone
5	Clamp	11	Tail vane
6	Slip ring		

#### 4. Installation

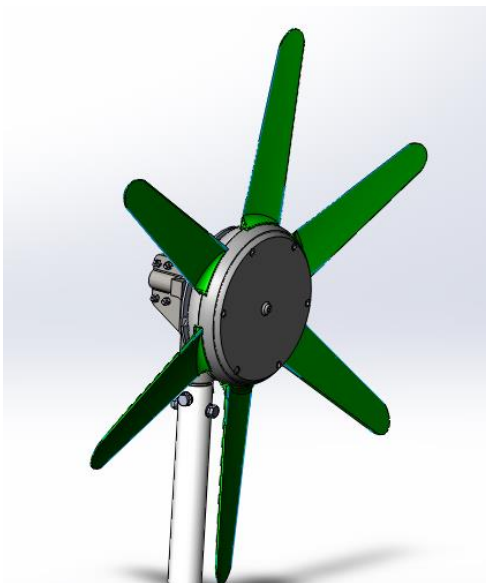
- Connect the cables with the terminal from generator. Please pay attention to the positive and negative. The cable will be elicited from the tower .



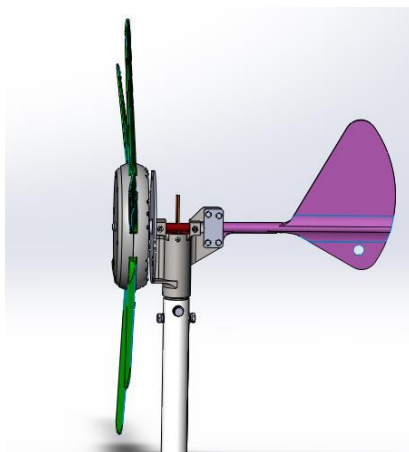
- Connect the small pole and tower with 4pcs of nuts (M 10\*16 ).



- Install the blades to the generator with 18pcs of bolts (M6\*28).



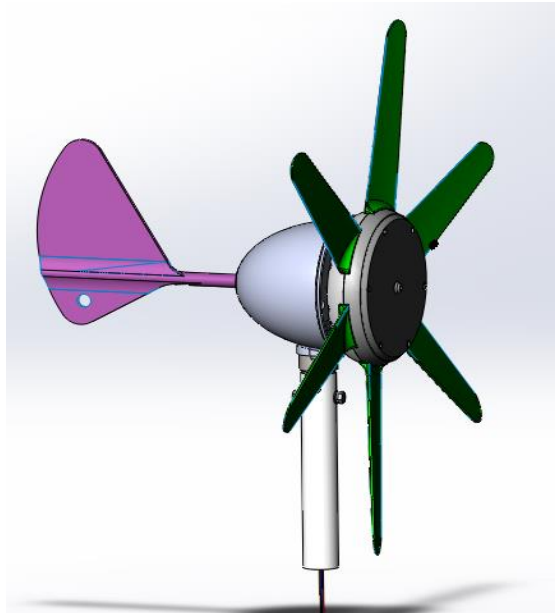
- Fasten the tail rod, rod plate and generator with 4pcs of screws (M6\*30).



- Fasten the generator front cover to the back cover via 3pcs of bolts (M5\*10).

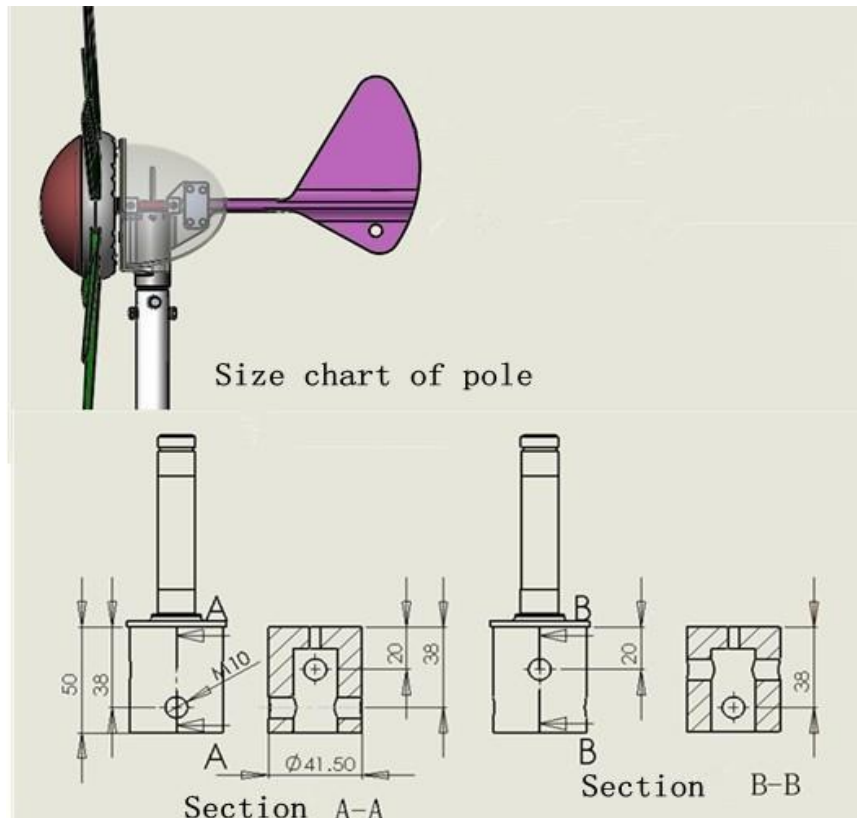


- Connect the cable elicited from generator to the battery. (Note: red for positive and black for negative)



### 3. Special note:

Connection diagram between wind generator and pole



2. Connect small pole and pipe(48\*2.5mm diameter).

2.Drill 2pcs of symmetrical screw holes(12mm diameter) above a distance of 20mm at the upper end of pipe.

3.Clockwise 90° in the hole above the distance of 20mm, and drill 2pcs of symmetrical screw holes(12mm diameter) above a distance of 38mm at the upper end of pipe.

4.Fasten the pipe between wind generator and tower with 4pcs screws(M10).

**Note: The joints between wind generator and pole need a torque of 80nm. Fix with locking grain rubber in suitable condition.**