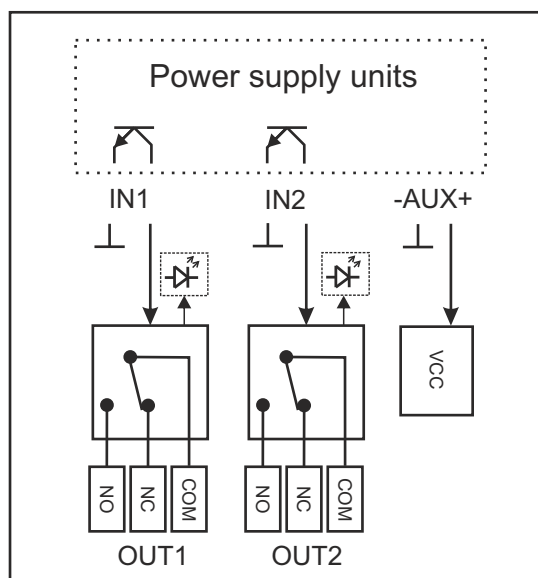
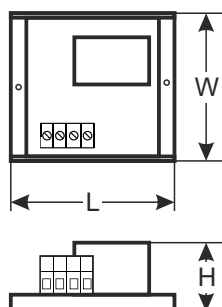
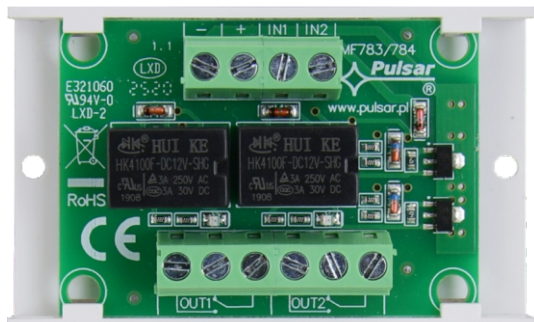


CODE: **AWZ639** v.1.0/I
 NAME: **MPOC technical outputs relay module**

EN



DESCRIPTION

The AWZ639 relay module of technical outputs is designed to change the OC (open collector) outputs to relay outputs in buffer power supplies of 12 and 24 V. The LEDs on the PCB indicate the status of the individual relays. Power supply input of the module is protected against reverse connection of power supply. CAUTION! Module is intended for power supplies with technical outputs.

SPECIFICATIONS

Supply voltage	10 V – 30 V DC
Current consumption	28 mA ÷ 45 mA @ U _{IN} = 10 V – 30 V DC
Technical outputs (relay type)	2 x 1 A@ 30 V DC/50 V AC
Optical indication	Green LEDs - relay outputs status
Operating conditions	II environmental class, -10°C +40°C
Dimensions	L=69, W=43, H=20 [+/- 2mm]
Mounting	Mounting strip with adhesive tape
Connectors	Φ0,41÷1,63 (AWG 26-14)
Net/gross weight	0,03kg / 0,05kg