

**Description.**

The **LB8/8x1.5A/2.5/FTA** fuse module is designed for power distribution in low-voltage systems requiring voltage of **10V÷30V DC** or **10V÷24V AC** (e.g. buffer power supply, transformer etc.). It is fitted with 2 power inputs and 8 independent power paths protected with 1.5A fuses. Fuse activation is indicated by switching off the appropriate LED: L1 for AUX1, L2 for AUX2 etc. Additionally, each output is protected with a varistor protecting the power supply and receivers against surges in the supply system. The module is adapted for connection of cables with a maximum cross-section of **2,5mm<sup>2</sup>**.

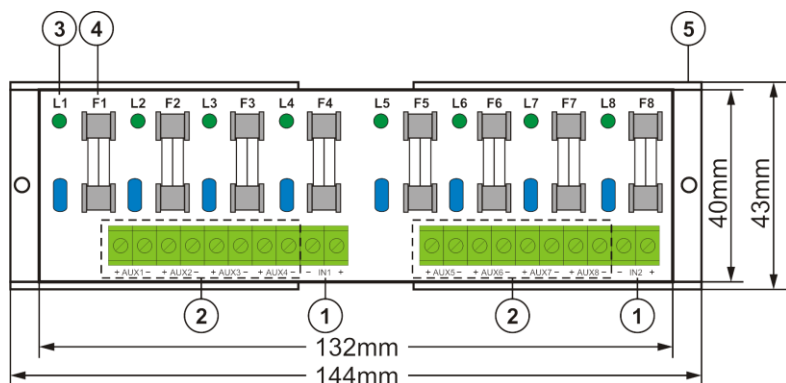


Fig.1. The view of the module.

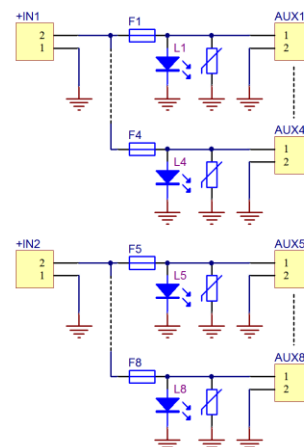


Fig.2. Electrical diagram.

**Table 1. Description of components and connectors of the module.**

Element no. [fig.1]	Description
[1]	IN1 ÷ IN2 power input
[2]	AUX1 ÷ AUX8 independently protected outputs
[3]	Green L1 ÷ L8 LEDs
[4]	F1 ÷ F8 fuses in the AUX (+) circuits
[5]	Mounting panel

**Table 2. Specifications.**

<b>Supply voltage</b>	10V ÷ 30V DC (-2%/+2%) 10V ÷ 24V AC (-2%/+2%)
<b>Output voltage</b>	$U_{AUX} = U_{IN}$ (equal to supply voltage)
<b>Current consumption</b>	8 mA ÷ 60 mA @ $U_{IN} = 10V \div 30V$ DC
<b>Number of power inputs</b>	2 (IN terminals) – max. <b>2,5mm<sup>2</sup></b> cable
<b>Number of power outputs</b>	8 (AUX terminals) – max. <b>2,5mm<sup>2</sup></b> cable
<b>Protections against:</b>	
- a short circuit SCP	- 8 x 1,5A
- an overload OLP	- 8 x 1,5A
- a surge	- varistors
<b>LED indication</b>	Green L1 ÷ L8 LEDs – AUX1 ÷ AUX8 output status
<b>Fuses F1 ÷ F8</b>	F 1,5A
<b>Operating conditions</b>	II environmental class, -10°C ÷ 50°C
<b>Dimensions</b>	L=144, W=43, H=26 (+/-2mm)
<b>Installation</b>	A mounting panel with an adhesive tape, mounting screws x 2 (holes Ø 3mm)
<b>Connectors:</b>	
- power supply input/output	Φ0,51÷2,05 (AWG 24-12), 0,5 ÷ 2,5mm <sup>2</sup>
<b>Declarations, warranty</b>	CE, 2 year from the production date
<b>Net/gross weight</b>	0,09kg / 0,14kg

**WEEE PARKING**

According to the EU WEE Directive – It is required not to dispose of electric or electronic waste as unsorted municipal waste and to collect such WEEE separately.

**Pulsar**

Siedlec 150, 32-744 Łapczyca, Polska  
Tel. (+48) 14-610-19-40, Fax. (+48) 14-610-19-50  
e-mail: [biuro@pulsar.pl](mailto:biuro@pulsar.pl), [sales@pulsar.pl](mailto:sales@pulsar.pl)  
http:// [www.pulsar.pl](http://www.pulsar.pl), [www.zasilacze.pl](http://www.zasilacze.pl)