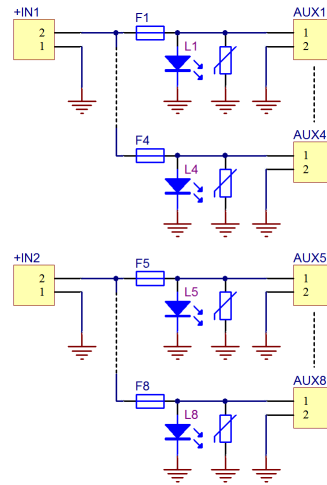
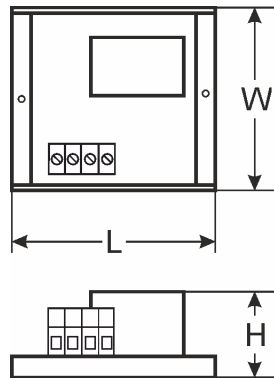


CODE: **AWZ598** v.1.0/II
NAME: **LB8/8x1,5A/2,5/FTA fuse module**

EN**



DESCRIPTION

The **LB8/8x1.5A/2.5/FTA** fuse module is designed for power distribution in low-voltage systems requiring voltage of **10V±30V DC** or **10V±24V AC** (e.g. buffer power supply, transformer etc.). It is fitted with 2 power inputs and 8 independent power paths protected with 1.5A fuses. Fuse activation is indicated by switching off the appropriate LED: L1 for AUX1, L2 for AUX2 etc. Additionally, each output is protected with a varistor protecting the power supply and receivers against surges in the supply system. The module is adapted for connection of cables with a maximum cross-section of **2,5mm²**.

SPECIFICATIONS

Supply voltage	10V±30V DC (-2%/+2%) 10V±24V AC (-2%/+2%)
Output voltage	$U_{AUX} = U_{IN}$ (equal to supply voltage)
Current consumption	8mA÷ 60mA @ $U_{in}=10 \div 30V$ DC
Number of power inputs	2 (IN terminals) - max. 2,5mm² cable
Number of power outputs	8 (AUX terminals) - max. 2,5mm² cable
Protections against:	
- a short circuit SCP	- 8 x 1,5A
- an overload OLP	- 8 x 1,5A
- a surge	- varistors
LED indication	green LED L1 ÷ L8 – status of the AUX1÷AUX8 outputs
F1 ÷ F8 fuses	F 1,5A
Operating conditions	II environmental class, -10°C ÷ 50°C
Dimensions	L=144, W=43, H=26 (+/-2mm)
Installation	A mounting panel with an adhesive tape, mounting screws x2 (holes Ø3mm)
Connectors:	
- power supply input/output	Φ0,51±2,05 (AWG 24-12), 0,5 ÷ 2,5mm ²
Net/gross weight	0,09kg / 0,14kg
Declarations, warranty	CE, 2 year from the production date