

1. Description.

The **LB4/4x0.5A/2.5/AW/R** fuse module is designed for power distribution in low-voltage systems requiring voltage of **10V±30V DC** or **10V±24V AC** (e.g. buffer power supply, transformer etc.). It is fitted with the IN input for power supply and 4 independently protected AUX1÷AUX4 power supply outputs. Each AUX output is equipped with short circuit protection (SCP): melting fuse F 0.5A or PTC 0.5A polymer fuse (the possibility of using 1A fuses, not supplied) as well as with overvoltage protection - varistors. Output state is indicated by 4 L1 ÷ L4 LEDs. Fuse failure is indicated by turning off the appropriate LED: L1 for AUX1, L2 for AUX2 etc. Additionally, in the case of failure, the FPS output (Hi-Z state) and the L_{FPS} LED are switched on. The FPS output can be used for remote control of a module e.g. external optical indication. The module is adapted for connection of cables with a maximum cross section of **2,5mm²**.

2. Module description.

2.1. Description of components and connectors of the module.

Element nr [fig. 2]	Description
[1]	L1 ÷ L4 green LEDs
[2]	F1 ÷ F4 fuses in the AUX (+) circuits
[3]	AUX1 ÷ AUX4 independently secured outputs, common terminal COM (-)
[4]	FPS failure technical output, type OC
[5]	FPS failure technical output, relay
[6]	IN, COM – module's power input
[7]	Mounting panel
[8]	L _{FPS} (red) LED indicating failure
[9]	Jumper for fuse - glass fuse/PTC

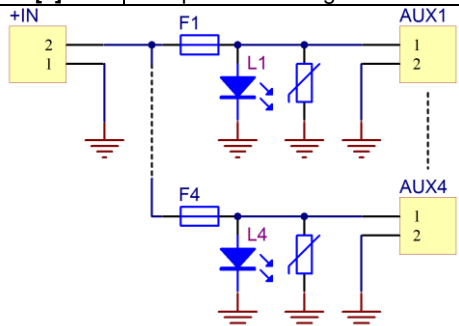


Fig.1. Electrical diagram.

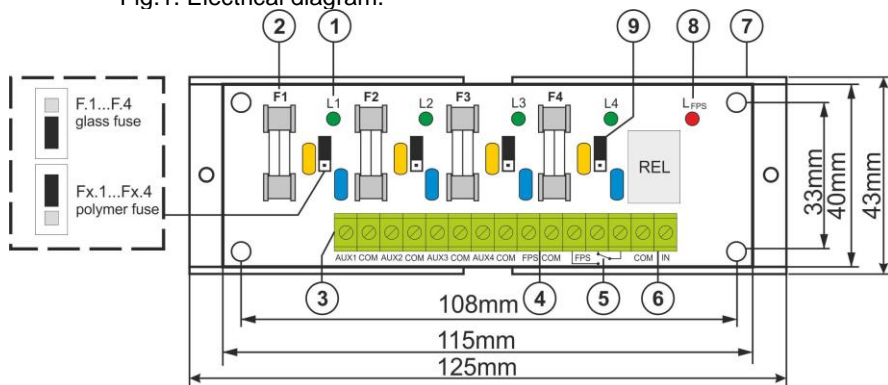


Fig.2. The view of the module.

3. Specifications.

Supply voltage	10V±30V DC (-2%/+2%) 10V±24V AC (-2%/+2%)
Output voltage	$U_{AUX} = U_{IN}$ (equal to supply voltage)
Current consumption	15mA÷ 42mA @ $U_{in}=10 \div 30V$ DC 37mA÷ 42mA @ $U_{in}=10 \div 24V$ AC
Number of power inputs	1 (IN terminals) – max. 2,5mm² cable
Number of power outputs	4 (AUX terminals) – max. 2,5mm² cable
Protections against:	- a short circuit SCP - an overload OLP - a surge
LED indication	- green LED L1 ÷ L4 – status of the AUX1÷AUX4 outputs - red LED L _{FPS} – indicates failure
F1 ÷ F4 fuses	F 0,5A or PTC 0,5A
Operating conditions	II environmental class, -10°C ÷ 50°C
Dimensions	L=125, W=43, H=32 (+/-2mm)
Installation	A mounting panel with an adhesive tape, mounting screws x 2 (holes Ø3mm)
Connectors:	- power supply input/output, technical output
Declarations, warranty	CE, 2 year from the production date
Net/gross weight	0,08kg / 0,10kg

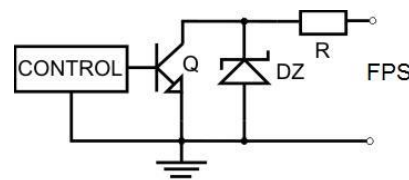


Fig.3. Electrical diagram of the OC output.

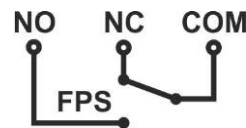


Fig. 4. Electrical diagram of the relay output

WEEE PARKING

According to the EU WEE Directive – It is required not to dispose of electric or electronic waste as unsorted municipal waste and to collect such WEEE separately.

Pulsar

Siedlec 150, 32-744 Łapczyca, Poland
Tel. (+48) 14-610-19-40, Fax. (+48) 14-610-19-50
e-mail: biuro@pulsar.pl, sales@pulsar.pl
http:// www.pulsar.pl, www.zasilacze.pl