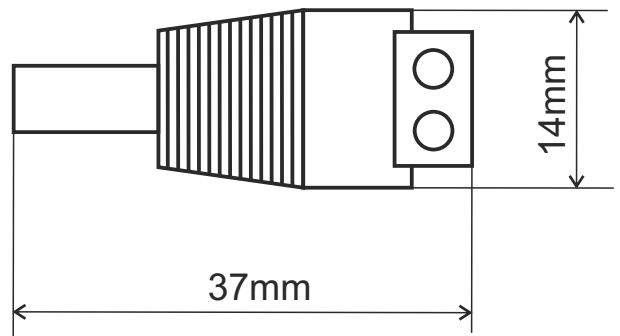
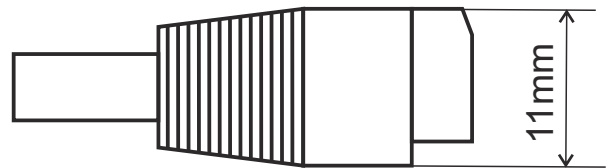


CODE: **ML 121** v1.0/III
 TYPE: **Reduction cable-plug DC 5.5/2.1/N**



DESCRIPTION

CABLE - PLUG DC 5,5/2,1/N reduction - enables easy connection of the receivers that feature a DC5,5/2,1 outlet type to a power circuit e.g. fuse modules of LB4, LB8 series.

SPECIFICATIONS

Operation voltage:	30V DC max.
maximum current:	2A
Plug:	DC 5,5/2,1, female
cable connector:	$\Phi 0,41 \pm 1,63$ (AWG 26-14)
Notes:	one-piece connection block

ATTENTION

Depending on receiver, requirements of polarization and power connector are different.
Remember to check compatibility of polarity of power connector with requirements of receiver.