

AX-70/130/200TN**PREMIUM BASIC**

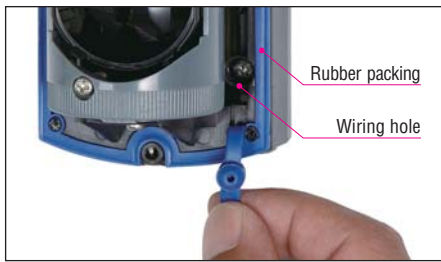
AX-TN series is a compact designed photoelectric detector with IP65 high durability rating and accurate optical alignment performance.

These features drastically reduces false alarms caused by severe outdoor environmental changes and it provides a wide range of applications.

FEATURES

IP65 structure with high sealing rubber packing

Rubber packing is used for all conceivable points where water or dust may penetrate, such as wiring holes, wire ports and the outer chassis. Prevention from dust, bugs and water delivers performance with higher reliability against false alarms and breakdowns.

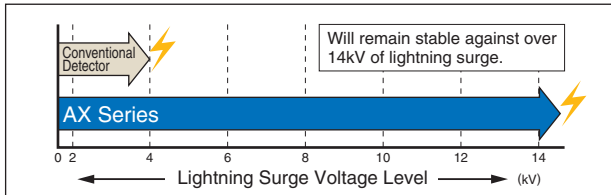


IP65

- Waterproof.**
Protected against water jets from any direction
- Dust-tight.**
No ingress of dust.
- International Protection Code.**
It shows the degrees of protection provided by enclosures.

Lightning protection

An improved Electro-Magnetic Interference surge absorber and high surge resistive relay has been installed to protect from lightning surges and maintain stable operation.



Anti-frost hood cover

A hood is installed to prevent frost forming on lower beams. It also makes the maintenance easy because the surface of cover is flat.

Easy angle adjustment

It allows the installer to finely adjust the beam easily.

High grade spherical lens

The high grade spherical lens creates more sharply defined and precise infrared beams compared to ordinary fresnel lenses.

99% beam blocking stability

Enables stable operation with as much as 99% loss of beam energy caused by heavy rain, dust storms, fog or snow.

A.G.C. (Automatic Gain Control) Circuit

A.G.C. circuit continually monitors for gradual changes in the signal's strength caused by changing weather conditions. It adjusts the sensitivity accordingly to maintain the proper signal level for the current environmental conditions.

Adjustable beam interruption period

The beam interruption time can be adjusted to fit any application. For example, when protecting a wall or fence, a longer interruption time will catch intruders.

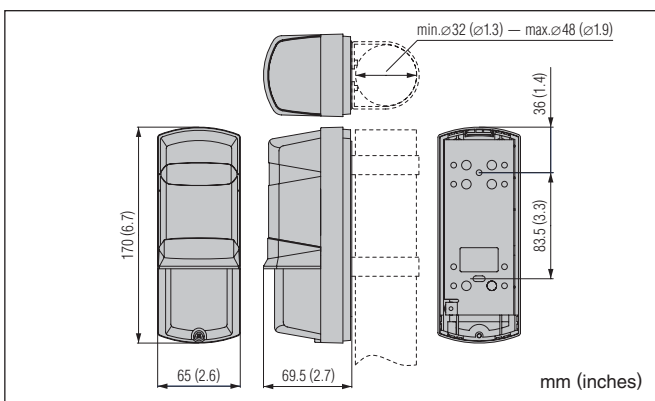
SPECIFICATIONS

Model	AX-70TN	AX-130TN	AX-200TN
Maximum detection range	20m (70ft)	40m (130ft)	60m (200ft)
Maximum arrival distance	200m (700ft)	400m (1300ft)	600m (2000ft)
Detection method	Infrared beam interruption detection		
Interruption period	Selectable between 50, 100, 250, 500msec (four steps)		
Power supply	10.5 – 28V DC		
Current consumption (Transmitter+Receiver)	38mA max.	41mA max.	45mA max.
Alarm period	2sec (±1) Nominal		
Alarm output	N.C. 28V DC, 0.2A max.		
Tamper switch	N.C.; open when cover is removed 28V DC, 0.2A max.		
Operating temperature	-35°C – +60°C (-31°F – +140°F)		
Environment humidity	95% max.		
Alignment angle	± 90° Horizontal, ± 5° Vertical		
Location of installation	Indoor / Outdoor : Wall / Pole Mounting		
Weight (Transmitter+Receiver)	650g (22.9oz)		

*Specifications and design are subject to change without prior notice.

NOTE: These units are designed to detect an intruder and activate an alarm control panel. Being only a part of a complete system, we cannot accept responsibility for any damages or other consequences resulting from an intrusion. These products conform to the EMC Directive 89/336 ECC.

DIMENSIONS



OPTIONS



■ HU-3 : Heating Unit

Heating unit for severe low temperature conditions
24V DC/AC, 420mA max.

■ BC-3 : Back Cover

Back cover to conceal the pole.

■ PSC-3 : Pole Side Cover

Cover for installing
2 units to 1 pole.



OPTEX CO., LTD.

(ISO 9001 Certified by LRQA / ISO14001 Certified by JET)
5-8-12 Ogoto, Otsu, Shiga, 520-0101 Japan

TEL +81(0)77 579 8670 FAX +81(0)77 579 8190

<http://www.optex.co.jp>

OPTEX INCORPORATED (USA)

<http://www.optexamerica.com>

OPTEX (EUROPE) LTD. (UK)

<http://www.optexeurope.com>

(ISO9001 Certified by NOA)

OPTEX SECURITY SAS (FRANCE)

<http://www.optex-security.com>

OPTEX KOREA CO., LTD. (KOREA)

<http://www.optexkorea.com>

OPTEX SECURITY Sp. z o.o. (POLAND)