

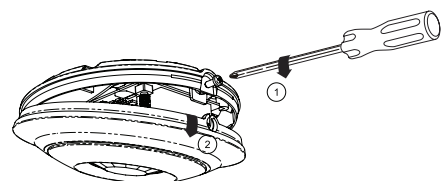


MADE IN ENGLAND INSS74-2

Specifications

|                        |                                       |
|------------------------|---------------------------------------|
| Type                   | 360 QD-W                              |
| Detector               | Omni-directional Quad PIR             |
| Signal processing      | DSP                                   |
| Coverage Diameter      | 9.3m at 3.6m Mounting Height          |
| Optical                | Fresnel Lens                          |
| Detector start-up time | <60 seconds                           |
| Battery Life           | Up to 3 years                         |
| Mounting height        | 2.4m to 3.6m                          |
| Target speed range     | 30 cm/s to 2 m/s (1 ft/s to 6.5 ft/s) |
| Alarm time             | > 2 seconds                           |
| Operating temperature  | -10°C to +50°C (14°F to 122°F)        |
| Dimensions             | 116 x 33 x 116 mm (WxHxD)             |
| Relative humidity      | Max. 90%                              |
| Weight                 | 100g                                  |

4



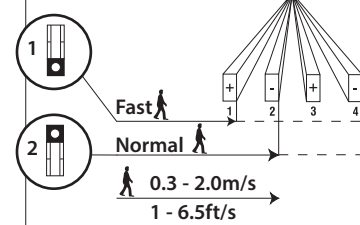
5

5.1 Battery Tag

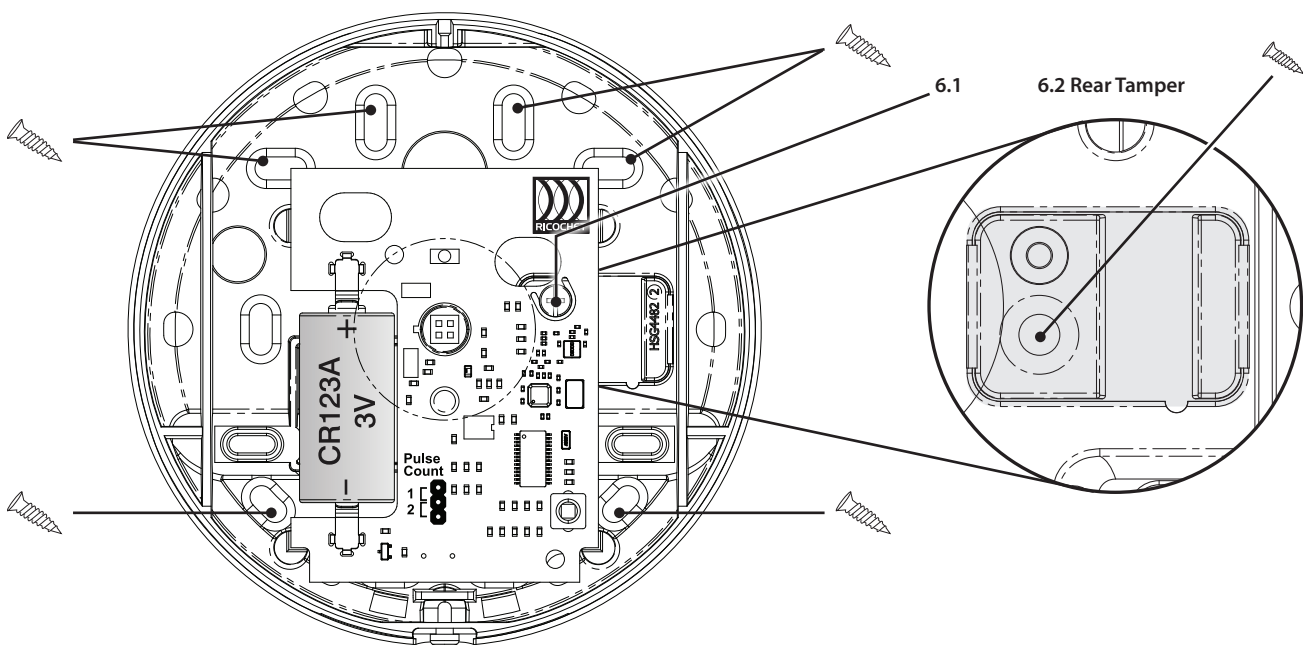


5.2 LED

5.3 Pulse Count



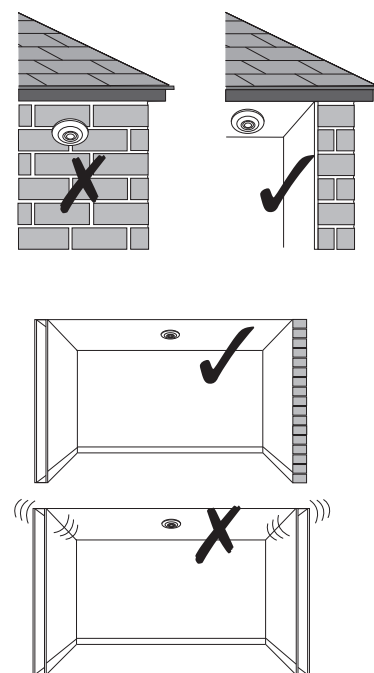
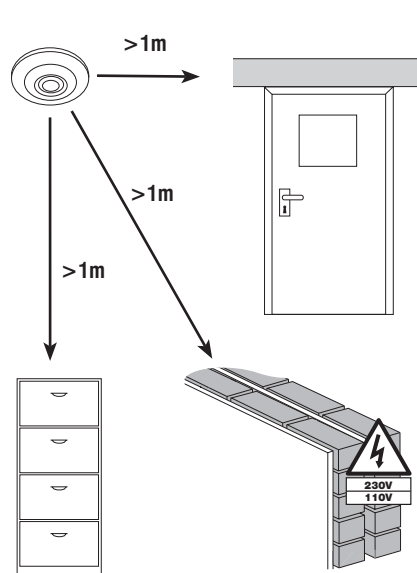
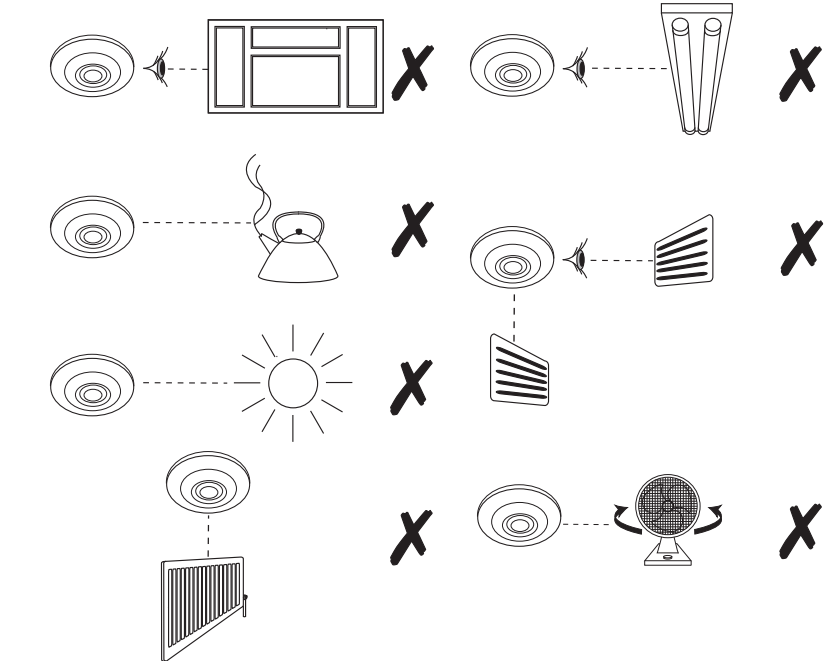
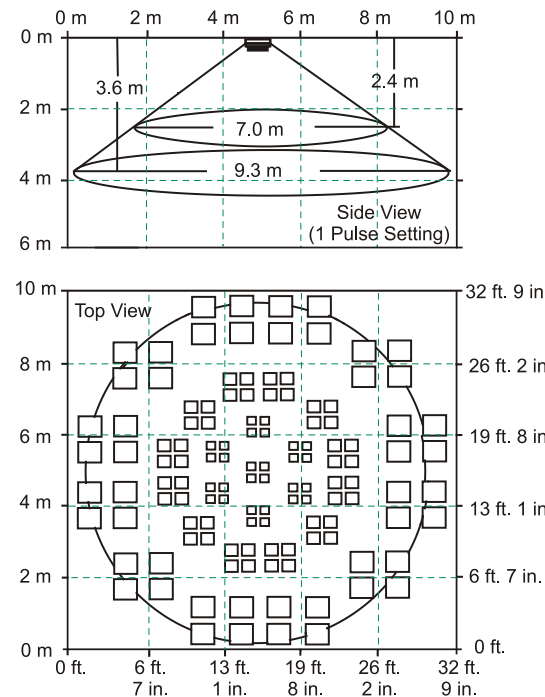
6



6.1

6.2 Rear Tamper

7



**Product description**  
The Premier 360 QD-W is a wireless ceiling mount PIR detector, which is designed to detect a movement of an intruder, and to activate an alarm on a control panel.  
For wireless connectivity, detailed programming and system set-up instructions please refer to the compatible *Ricochet* mesh technology enabled Premier Elite wireless expander or control panel instructions.

**Installation guidelines**  
The technology used in these detectors resists false alarm hazards. However, avoid potential causes of instability such as (see Fig. 1):  
 • Direct sunlight on the detector.  
 • Heat sources within the detector field of view.  
 • Strong draughts onto the detector.  
 • Large animals within the detector field of view.  
 • Do not install close to large metal objects (eg. metal lintel, metal filing cabinet) or mains wiring. (see Fig. 2)  
 • For indoor use only and mount on a stable surface. (see Fig. 3)

**Installing the detector**  
Unwind the screw on the side of the detector until loose; the screw will be retained in the product (see Fig 4 Step 1).  
Lift detector lid out from the base and off the lugs at the opposite end to the screw (see Fig 4 Step 2).  
**Setting up the detector** (see Fig.5)  
Battery Tag (see Fig.5.1) - DO NOT REMOVE THIS TAG UNTIL YOU ARE READY TO LEARN THE DEVICE TO THE SYSTEM.  
Battery connection will automatically start the learning sequence. Device reverts back to programmed network if receiver is not in learn mode (when replacing battery). LEARN THE DEVICE TO THE SYSTEM BEFORE MOUNTING.  
**LED Status** (see Fig.5.2)  
LED Solid: Device is attempting to learn to new receiver.  
LED Flash Every Second: Device connected to receiver and PIR in warm-up.  
LED to indicate PIR detection enabled by putting area into walktest from the panel.

**Pulse Count Jumper** (see Fig. 5.3)  
Pulse Count 1: (high sensitivity required for EN50131-2-2)  
Pulse Count 2: (normal sensitivity)  
Fix the base to the ceiling between 2.4 m and 3.6 m (8 and 12 ft) from the floor. For flat mounting use a minimum of 2 screws (DIN 7998) in any of the available positions (see Fig 6).  
Rear tamper must be fixed for Grade 2 compliance. Remove PCB and fit Rear Tamper screw. (See Fig. 6.2) Re-fit screw into PCB (See Fig. 6.1)  
Replace lid and tighten the screw in a base.

**Coverage patterns** (see Fig.7)

**Battery Safety**

- Do not throw into a fire
- Do not short circuit
- Replace only with same type (CR123A 3V)
- Always observe local regulations when disposing of a battery
- Detector will transmit low battery warning when battery needs replacing
- Do not heat
- Do not charge
- Do not disassemble

**Regulatory information**  
**Supplier:** Texecom Ltd, St. Crispin Way, Haslingden, Lancashire, BB4 4PW, UK.  
**Weee Directive:** 2012/19/EU (WEEE directive): Products marked with this symbol cannot be disposed of as unsorted municipal waste in the European Union. For proper recycling, return this product to your local supplier upon the purchase of equivalent new equipment, or dispose of it at designated collection points. For more information see: [www.recyclethis.info](http://www.recyclethis.info).  
**RoHS Directive:** 2011/65/EU RoHS Compliant. Hereby, Texecom declares that this device does not contain lead, mercury, cadmium, hexavalent chromium, polybrominated biphenyls (PBB) or polybrominated diphenyl ethers (PBDE) in more than the percentage specified by EU directive 2011/65/EU, except exemptions stated in EU directive 2011/65/EU annex.

**CE Directive:** 2004/108/EC (CE directive): Hereby, Texecom declares that this device is in compliance with the essential requirements and other relevant provisions of Directive 2004/108/EC.  
**Maintenance:** Test yearly by the installer  
**Warranty:** 2 year replacement warranty (excludes battery)  
The Premier 360 QD-W is not a complete alarm system, but only its part. Therefore Texecom does not accept any responsibility or liability for any damage that is claimed to be a result of an incorrect functioning of the Premier 360 QD-W detector. Texecom reserves the right to change the specification without a prior notice.

**Standards**

|  |  |
|--|--|
| Alarm Systems:                         | EN50131-2-2, EN50131-5-3, EN50131-1, PD6662:2010, Grade 2 Class II               |
| EMC:                                   | EN50130-4:2011: A1: A2   |
| R&TTE:                                 | ETSI EN301 489-03 V1.4.1   |
| Environmental:                         | EN50130-5  |
| Frequency Band:<br>(See product label) | 868.0 - 868.6 MHz<br>866.0 - 866.6 MHz<br>433.05 - 434.79 MHz                    |
| 360 QD-W<br>Product Type:              | GBM1000 Frequency 868MHz<br>GBM2000 Frequency 866MHz<br>GBM1050 Frequency 433MHz |
| Receiver:                              | Category 1, Class 2  |
| Receiver LBT<br>(Listen Before Talk)   | Yes  |
| Transmitter Duty Cycle                 | 868MHz<1%, 866MHz<1%, 433MHz<10%   |
| Low Voltage Signal                     | 2.85V  |
| Operating Voltage                      | 3V   |