

Premier 360DT

Ceiling Mount Dual Technology Detector



Cover every angle

The perfect detection solution for partitioned areas, commercial premises and residential homes, the Premier 360 DT provides all-round security.

Featuring a combination of omni-directional quad PIR sensing and state-of-the-art K-band microwave detection, the Premier 360 DT provides unparalleled catch performance even in the most challenging of environments.

- 3.6m maximum mounting height
- 9.3m maximum diameter coverage pattern
- Conforms to EN50131-2-4 Grade 2 requirements*

*For details of specific territory listings, please contact your Texecom sales representative

For further information contact sales: 01706 220460

Texecom

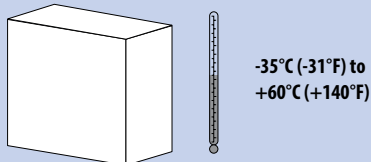
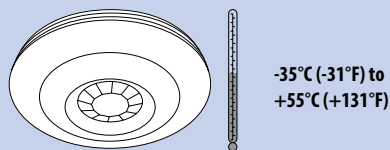
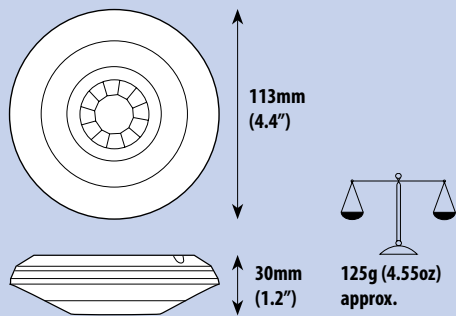
Premier 360 DT - Ceiling Mount Dual Technology Detector

The Premier 360 DT from Texecom is a ceiling mount intruder detector that features both omni-directional quad element PIR and K-band microwave sensing. This gives the detector maximum catch performance and false alarm immunity, even in challenging environments such as partitioned areas, commercial premises and residential housing.

The Premier 360 DT has a maximum 9.3m diameter detection pattern, which results in over 65m² of omni-directional coverage under each detector. The product is suitable for mounting up to 3.6m above the ground, and complies with EN50131-2-4 Grade 2 requirements.

Ceiling mount detectors are of particular benefit when protecting areas with ground-based obstructions such as cubicle partitions, shopping aisles and large furniture, or when traditional mounting sites are impractical.

Physical Specifications



Premier 360 DT



Functions

- 9.3m coverage pattern
- 3.6m maximum mounting height
- Omni-directional quad pyro sensing
- K-band microwave detection
- Digital microprocessor technology
- Conforms to EN50131-2-4 requirements

Standards

Detector Standard:	EN 50131-2-4 Grade 2 Class II
System Standard:	PD 6662/BS EN 50131-1 Grade 2 system, Environmental Class II
Frequency:	24Ghz

European Standards

CE Directive: 2004/108/EC (CE directive): Hereby, Texecom Ltd declares that this device is in compliance with the essential requirements and other relevant provisions of Directive 2004/108/EC.

R&TTE Directive: 1999/5/EC (R&TTE Directive): Hereby, Texecom Ltd declares that this device is in compliance with the essential requirements and other relevant provisions of Directive 1999/5/EC.

Texecom products are protected by UK and International patents, trademarks and registered design rights. Premier is a trademark of Texecom Ltd.

© 2011 Texecom Limited. LIT-0155-2 Discover more at www.texecom.com



Certificate Number: FM 35285

CE 0682