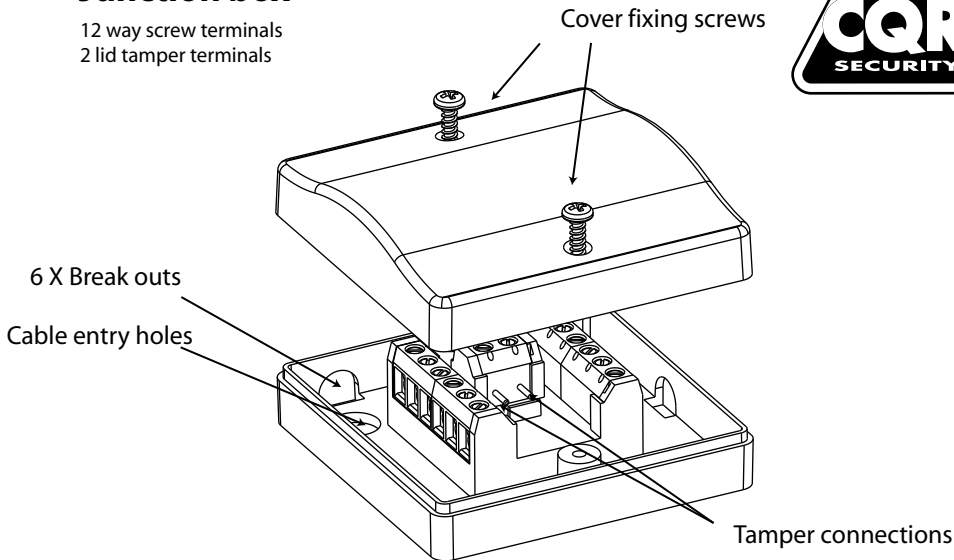


This product is suitable for use in systems installed to conform to PD6662:2010 at Security Grade 3 Environmental class II and is compliant to EN50131-1

JB720/(WH or BR)

Junction box

12 way screw terminals
2 lid tamper terminals



INSTRUCTIONS

Not suitable for mains voltage operation.

Cable entry can be via snap-out sections, or directly into the unit from behind.

The two terminals shown in the illustration should be used for the tamper.

All other terminals are electrically isolated.

Mount on a suitable surface away from damp.

This product is suitable for use in security systems installed to conform to PD6662:2010 at Security Grade 3 Environmental class II (indoor use) and is compliant to EN50131-1

SPECIFICATIONS

Casing material:	ABS
Terminals:	12 x connectors, 2 x tamper
Terminal Material:	PBT UL94V0; Pin Header Brass, Tin Plated.
Terminal screw:	2.5mm, steel, Zinc Plated
Wire guard:	Stainless Steel
Wire Range:	22-14 AWG, 1.5 mm ²
Rated Volts/Rated Current:	300V/15A
Size:	65mm x 65mm x 24mm

Environmental Advice.

This product is covered by current WEEE regulations. Please consider the effect on the environment, when disposing of it. Do not put in a domestic waste bin. Only dispose of at an appointed recycling centre.

RoHS Compliant



CQR Security. 125, Pasture Road, Moreton, Wirral. CH46 4TH, United Kingdom

Tel: +44 (0) 151 606 9595 Support: +44 (0) 151 606 6311 email: info@cqr.co.uk Web: <http://www.cqr.co.uk>

Issue 2