



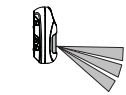
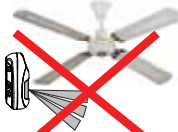
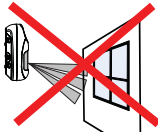
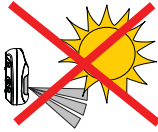
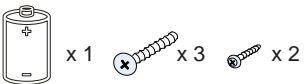
iWAVE
Wireless
PIR & PIR Pet Detectors



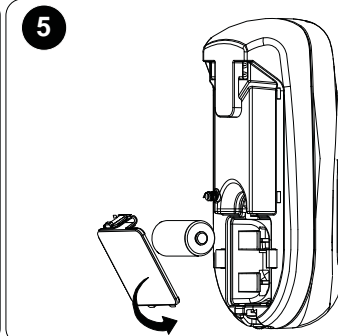
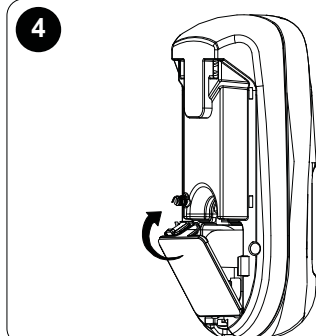
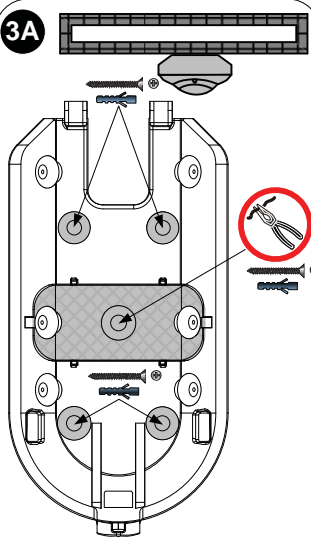
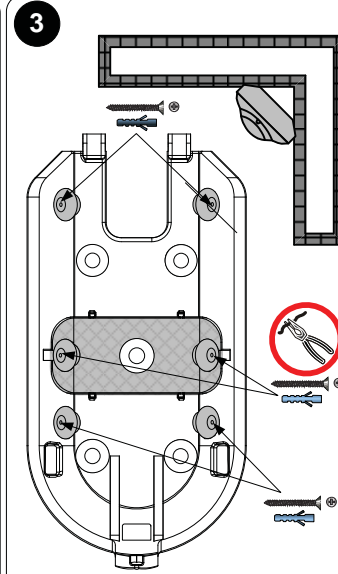
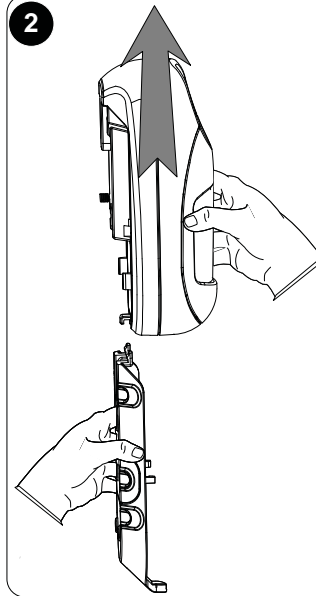
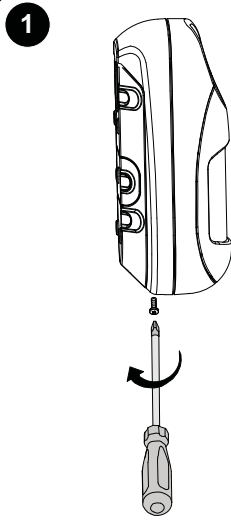
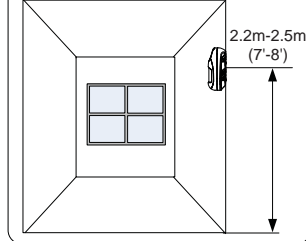
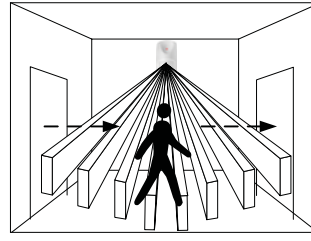
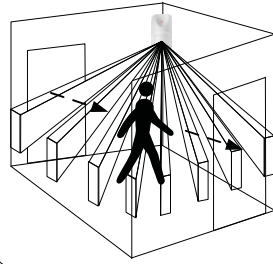
www.riscogroup.com
www.riscogroup.co.uk
www.riscogroup.fr
www.riscogroup.it
www.riscogroup.com/dutch
www.riscogroup.es
www.riscogroup.com/por
www.riscogroup.com/cn

PIR 868/433MHz
Model: iWAVE T95

PIR Pet 868/433MHz
Model: iWAVE T95P



≤ 36kg (80lb)



EN **Caution:** Risk of explosion if battery is replaced by an incorrect type. Dispose of used batteries according to local regulations.

IT **Attenzione:** Pericolo di esplosione in caso di utilizzo di un tipo di batterie non adeguato. Smaltire le batterie secondo la normativa vigente.

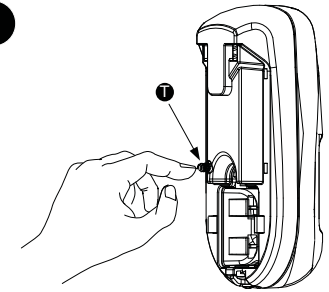
SP **Advertencia:** Si la batería se sustituye por un tipo incorrecto, hay riesgo de explosión. Deshágase de las baterías usadas según las regulaciones locales.

FR **Mise en garde :** risque d'explosion si la pile est remplacée par un type incorrect. Débarrassez-vous des batteries usagées en accord avec les réglementations locales.

PR **Cuidado:** Pode ocorrer o risco de explosão caso substituir as pilhas por outras de tipo indevido. É necessário desfazer-se das pilhas usadas de acordo com os regulamentos locais.

NL **Let op:** Als de accu met een verkeerd type wordt vervangen, ontstaat de kans op explosie. Gebruikte accu's moeten volgens de lokale reguleringen worden

6



EN **Registering the Detector into the system**

The iWAVE must identify itself to the system receiver. This can be done by typing the 11 digit serial number of the detector into the system or using RF mode. To register the detector using the serial number refer to the Agility installation manual.

Enrolling using RF communication

1. Set the receiver to Learn mode.
2. Insert the batteries and press the tamper switch for at least 3 seconds. The iWAVE will send a WRITE message. A successful learning will be indicated by a confirmation message that indicates the detector allocation in the system.

IT **Registrare il rilevatore nel sistema**

iWAVE deve essere identificato dal ricevitore del sistema. Inserire pertanto il numero di serie a 11 cifre del rilevatore nel sistema o utilizzare la modalità RF. Per registrare il rilevatore utilizzando il numero di serie, fare riferimento al manuale di installazione Agility.

Acquisizione tramite comunicazione RF

1. Impostare il ricevitore in modalità di apprendimento.
2. Inserire le batterie e premere l'interruttore tamper per almeno 3 secondi. iWAVE invierà un messaggio WRITE. Il corretto apprendimento viene confermato da un messaggio indicante l'allocazione del rilevatore nel sistema.

SP **Registro del detector en el sistema**

El iWAVE debe identificarse en el receptor del sistema. Esto puede hacerse escribiendo en el sistema el número de serie de 11 dígitos del detector, o bien usando el modo RF (Radio Frecuencia). Para registrar el detector usando el número de serie, consulte el manual de instalación de Agility.

Alta del detector usando la comunicación RF

1. Ponga el receptor en modo Aprendizaje.
2. Inserte las pilas y pulse el interruptor del tamper durante al menos 3 segundos. El iWAVE enviará un mensaje de Escritura. Si se ha dado de alta correctamente, se oirá un mensaje de confirmación indicando la asignación del detector en el sistema.

FR **Enregistrement du détecteur dans le système**

Le modèle iWAVE doit être identifié par le système récepteur. Ceci peut être fait en entrant les 11 chiffres du numéro de série du détecteur dans le système ou en employant le mode RF. Pour enregistrer le détecteur en utilisant le numéro de série, consultez le manuel d'installation de l'Agility.

Utilisation de la communication RF pour l'inscription

1. Réglez le récepteur en mode d'apprentissage
2. Insérez les batteries et appuyez sur le commutateur du dispositif anti-sabotage durant au moins 3 secondes. Le iWAVE enverra un message ECRIT. Un message de confirmation indiquant que l'inscription du détecteur dans le système a réussi apparaîtra.

PR **Registrando o detector no sistema**

O iWAVE deve identificar-se ao receptor do sistema. Isto pode ser executado ao digitar o número de série de 11 dígitos do detector no sistema ou utilizando o modo de rádio frequência. Para registrar o detector utilizando o número de série, consulte o manual de instalação da Agility.

Inscrição através de comunicação de rádio frequência

1. Configure o receptor para o modo "Learn".
2. Introduza as pilhas e pressione o interruptor do tamper por pelo menos 3 segundos. O iWAVE enviará uma mensagem WRITE. Um aprendizado bem sucedido será indicado por uma mensagem de confirmação que indica a atribuição do detector no sistema.

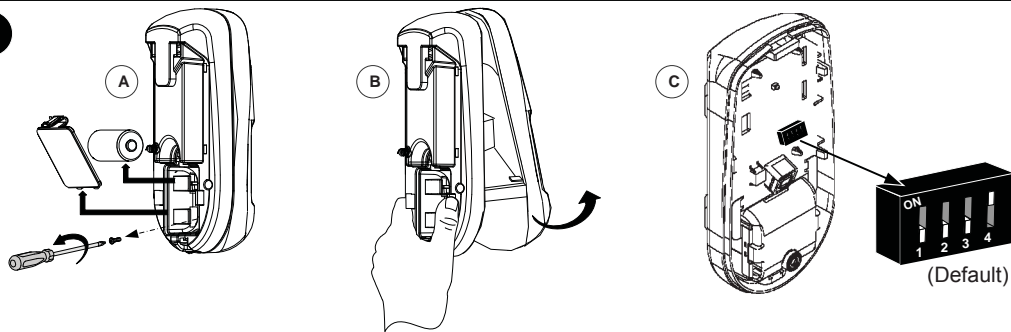
NL **De detector in het systeem registreren**

De iWAVE moet zichzelf bij de systeemontvanger identificeren. Dit kan worden gedaan door het digitale serienummer 11 van de detector in het systeem of met RF-modus te typen. Om de detectors met het serienummer te registreren, moet u de installatiehandleiding van het systeem raadplegen.

Met RF-communicatie registreren:

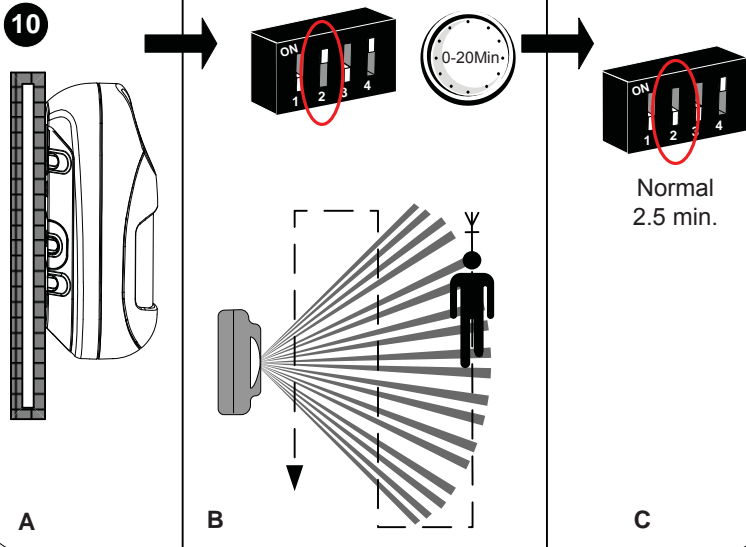
1. Stel de ontvanger in op de modus Leren
2. Plaats de accu's en druk op gedurende minstens 3 seconden op de sabotageschakelaar. De iWAVE verzendt een bericht SCHRUIVEN. Een succesvol leren wordt door een bevestigingsbericht aangegeven, welke de toewijzing van de detector in het systeem aangeeft.

7

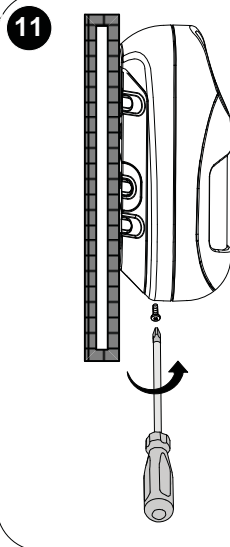


SW1	EN	Mode		IT	Modo		SP	Modo		FR	Mode		PR	Modalidade	
	Function	OFF	ON	Funzione	OFF	ON	Función	OFF	ON	Fonction	OFF	ON	Função	OFF	ON
1	Sensitivity	Low	High	Sensibilità	Bassa	Alta	Sensibilidad	Baja	Alta	Sensibilité	Faible	Elevé	Sensibilidade	Baixa	Alta
2	Operation	Normal 2.5min	Walk Test	Modo operativo	Normale 2.5min	Prova Movimento	Funcionamiento	Normal 2.5min	Prueba de Detección	Operation	Normal 2.5min	Test de passage	Operação	Normal 2.5min	Teste de Caminhada
3	Supervision	15 min.	65 min.	Supervisione	15 min.	65 min.	Supervisión	15 min.	65 min.	Surveillance	15 min.	65 min.	Monitoração	15 min.	65 min.
4	LED	OFF	ON	LED	OFF	ON	LED	OFF	ON	LED	OFF	ON	LED	OFF	ON

10



11



RISCO Group Limited Warranty

RISCO Group and its subsidiaries and affiliates ("Seller") warrants its products to be free from defects in materials and workmanship under normal use for 24 months from the date of production. Because Seller does not install or connect the product and because the product may be used in conjunction with products not manufactured by the Seller, Seller cannot guarantee the performance of the security system which uses this product. Seller's obligation and liability under this warranty is expressly limited to repairing and replacing, at Seller's option, within a reasonable time after the date of delivery, any product not meeting the specifications. Seller makes no other warranty, expressed or implied, and makes no warranty of merchantability or of fitness for any particular purpose. In no case shall seller be liable for any consequential or incidental damages for breach of this or any other warranty, expressed or implied, or upon any other basis of liability whatsoever. Seller's obligation under this warranty shall not include any transportation charges or costs of installation or any liability for direct, indirect, or consequential damages or delay. Seller does not represent that its product may not be compromised or circumvented; that the product will prevent any personal injury or property loss by burglary, robbery, fire or otherwise; or that the product will in all cases provide adequate warning or protection. Buyer understands that a properly installed and maintained alarm may only reduce the risk of burglary, robbery or fire without warning, but is not insurance or a guaranty that such event will not occur or that there will be no personal injury or property loss as a result thereof. Consequently seller shall have no liability for any personal injury, property damage or loss based on a claim that the product fails to give warning. However, if seller is held liable, whether directly or indirectly, for any loss or damage arising under this limited warranty or otherwise, regardless of cause or origin, seller's maximum liability shall not exceed the purchase price of the product, which shall be complete and exclusive remedy against seller. No employee or representative of Seller is authorized to change this warranty in any way or grant any other warranty. **WARNING:** This product should be tested at least once a week.

Contacting RISCO Group

RISCO Group is committed to customer service and product support. You can contact us through our website www.riscogroup.com or as follows:

United Kingdom
Tel: +44-161-655-5500
technical@riscogroup.co.uk

Spain
Tel: +34-91-490-2133
support-es@riscogroup.com

Brazil
Tel: +32-2522 7622
support-br@riscogroup.com

Poland
Tel: +48-22-500-28-40
support-pl@riscogroup.com

Italy
Tel: +39-02-66590054
support@riscogroup.it

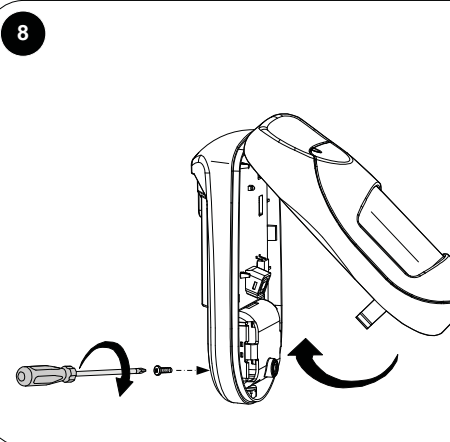
France
Tel: +33-164-73-28-50
support-fr@riscogroup.com

USA
Tel: +1-631-719-4400
support-usa@riscogroup.com

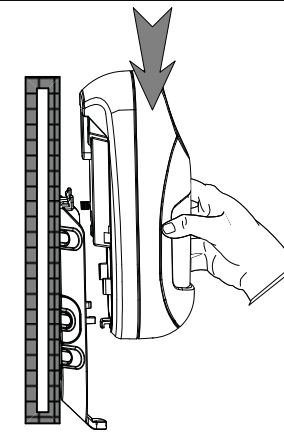
China
Tel: +86-21-52-39-0066
support-cn@riscogroup.com

Israel
Tel: +972-3963-7777
support@riscogroup.com

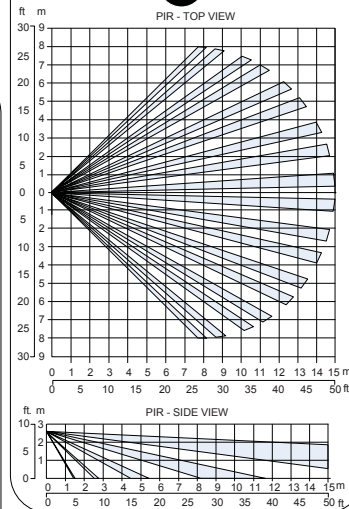
8



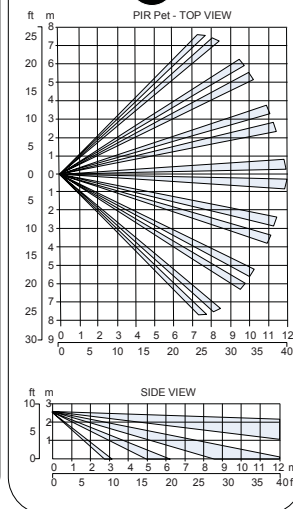
9



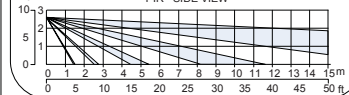
12



12A



ft m



CR 123, 3V Lithium



PIR: 9 μ A standby
Pet: 13 μ A standby



868.65MHz / 433.92MHz



15 min.
65 min.



= 3 Y Typical



= 5 Y Typical



67.5mm
(2.6")



56mm
(2.2")



132mm
(5.1")



-10°C > 40°C
(14°F > 104°F)

EN

These detection pattern is only assured and approved according to EN50131 in High sensitivity settings. For low sensitivity setting, the actual detection pattern must be assured during the installation

IT

Questo metodo di rilevazione è assicurato e approvato in accordo con la norma EN50131 solo quando il rilevatore è in ALTA SENSIBILITA'. Per il settaggio in bassa sensibilità, questo metodo di rilevazione è assicurato solamente durante l'installazione.

SP

Estos patrones de detección sólo están garantizados y aprobados conforme a EN50131 en la configuración de Alta sensibilidad. Para la configuración de Baja sensibilidad, el patrón exacto de detección debe asegurarse durante la instalación.

FR

Cette couverture de détection n'est assurée et approuvée selon la norme EN50131 qu'avec un réglage en Haute Sensibilité. Pour un réglage avec une Faible Sensibilité, la couverture de détection devra être vérifiée au cours de l'installation.

PR

Este padrão de detecção só é garantido e aprovado de acordo com a EN50131 com o ajuste para alta sensibilidade. Para ajuste de baixa sensibilidade, o padrão real de detecção deve ser certificado durante a instalação.

NL

Deze detectie patroon, in lijn met de EN 50131 norm, zijn alleen geldig als de parameters op het maximum gevoeligheid niveau afgesteld zijn. Voor een lager detectie niveau, de detectie patroon zou op het moment van de installatie moeten afgesteld worden.

APPROVALS

(Models: iWAVE T95 and iWAVE T95P)

EN50131-1, EN50131-2-2 Grade 2, EN50130-5 Environmental Class II,
EN50131-6: Type C EN50131-5-3 Grade 2



FCC part 15 statement and warnings

(Models: iWAVE T95 and iWAVE T95P)

NOTE: This equipment has been tested and found to comply with the limits for a Class B digital device, pursuant to Part 15 of the FCC Rules. These limits are designed to provide reasonable protection against harmful interference in a residential installation. This equipment generates, uses and can radiate radio frequency energy and, if not installed and used in accordance with the instructions, may cause harmful interference to radio communications. However, there is no guarantee that interference will not occur in a particular installation. If this equipment does cause harmful interference to radio or television reception, which can be determined by turning the equipment off and on, the user is encouraged to try to correct the interference by one or more of the following measures:

- Reorient or relocate the receiving antenna.
- Increase the separation between the equipment and receiver.
- Connect the equipment into an outlet on a circuit different from that to which the receiver is connected.
- Consult the dealer or an experienced radio/TV technician for help.

FCC ID: JE4RWT90X433

© RISCO Group 12/2009

5IN1088 C