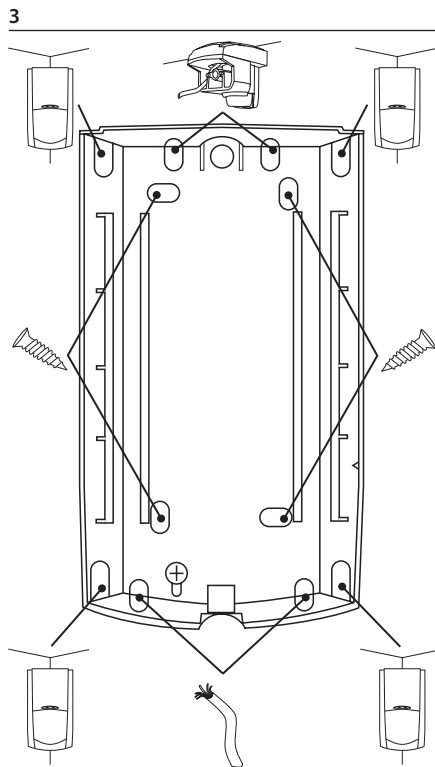
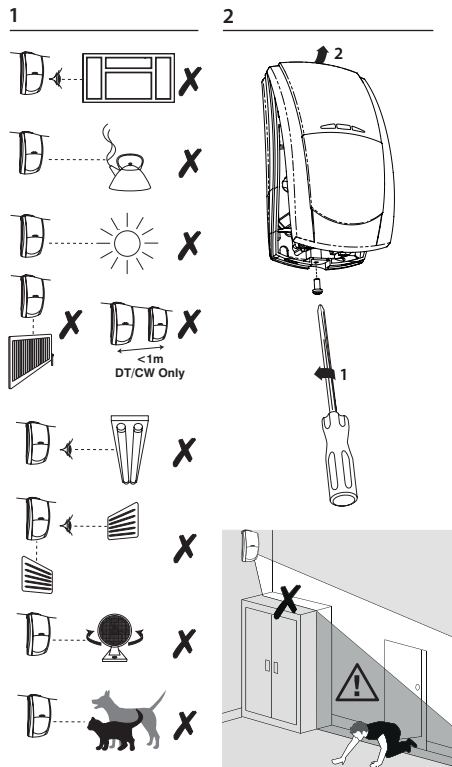


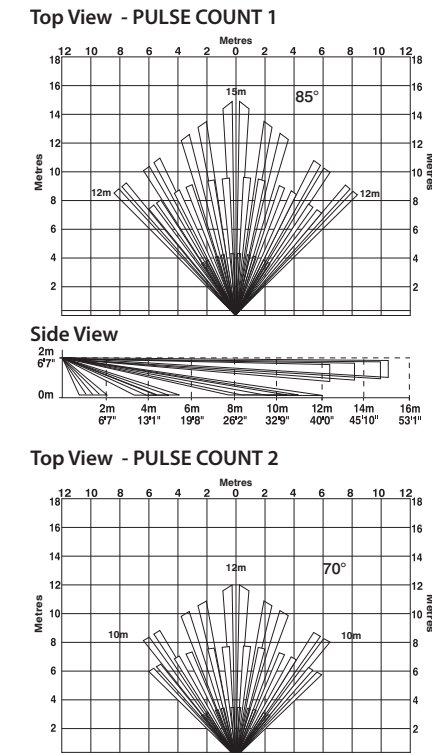
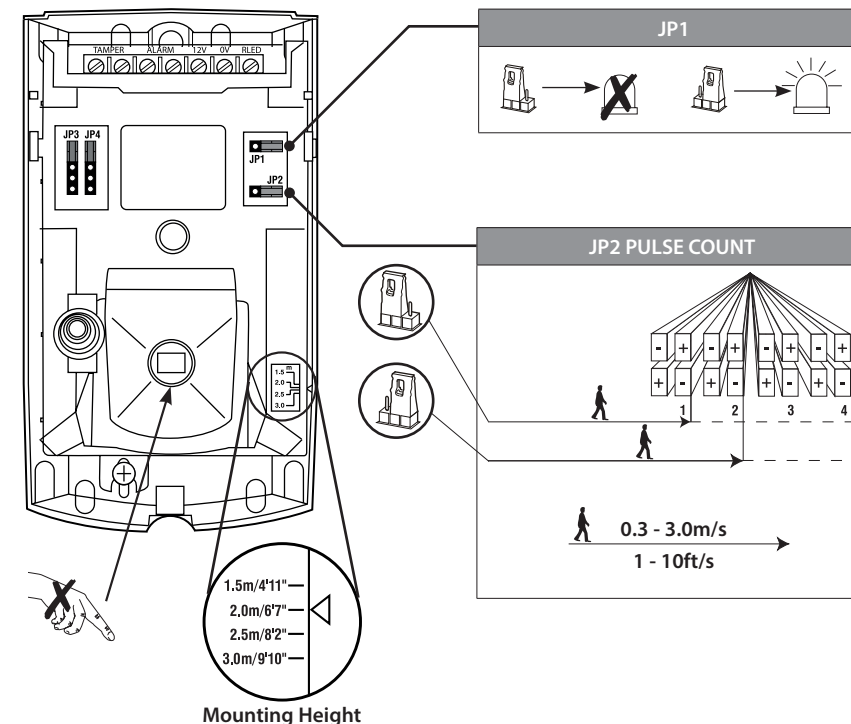
Instruction Manual
Premier Elite QD/TD/DT/CW



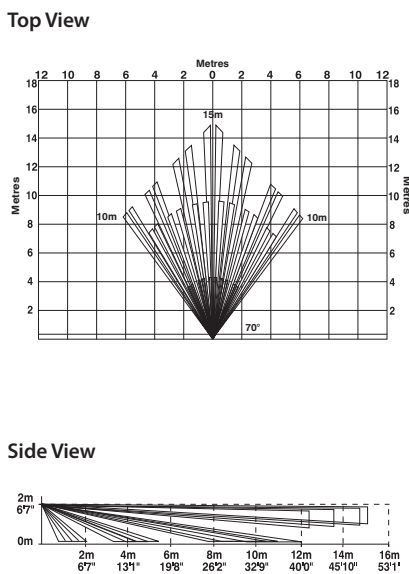
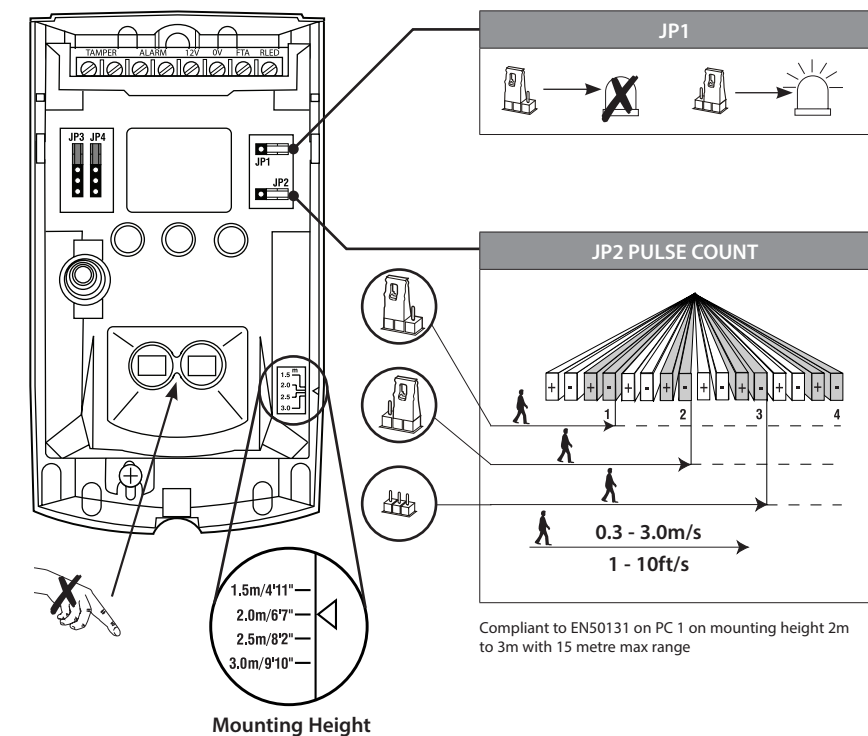
MADE IN ENGLAND INSS44-7



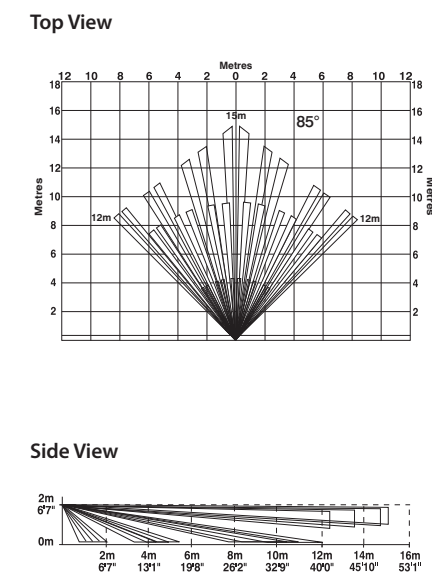
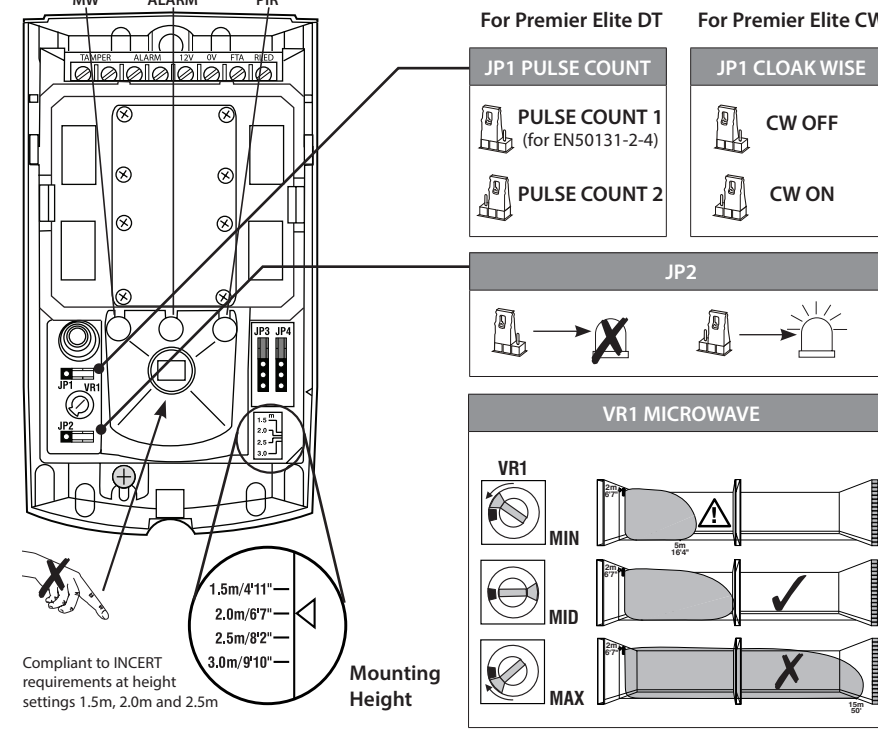
4 - Premier Elite QD



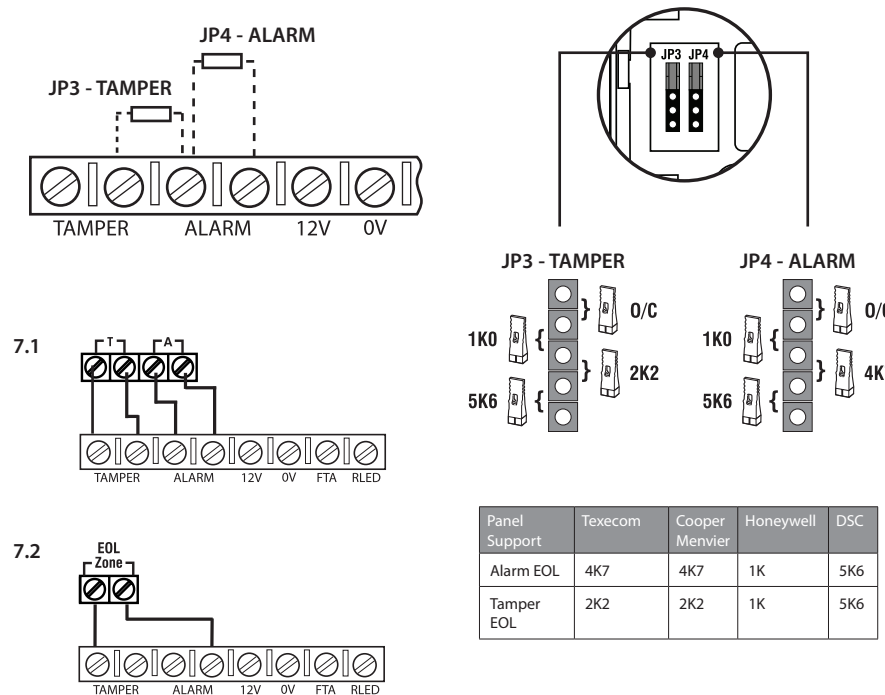
5 - Premier Elite TD



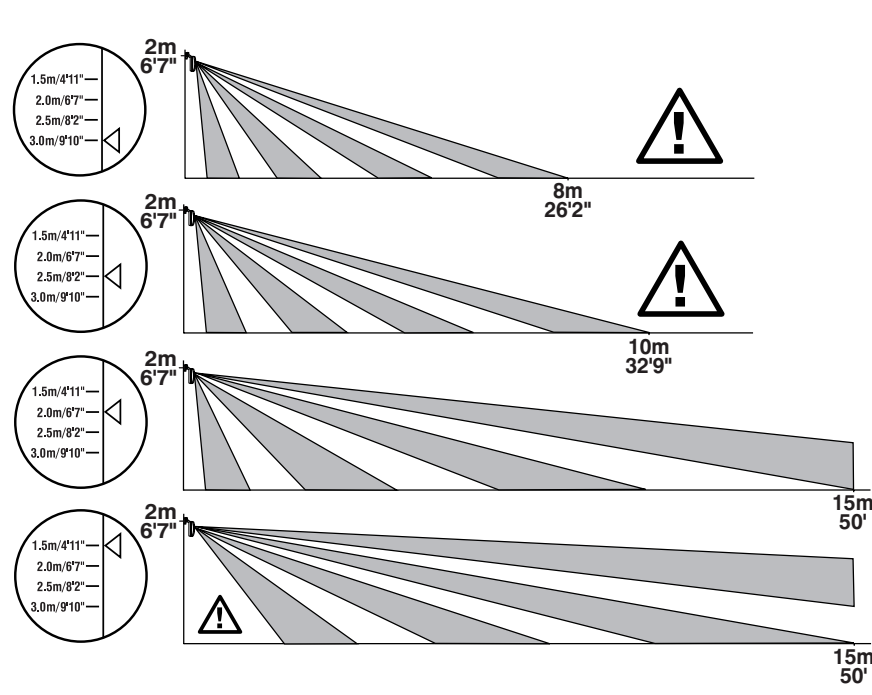
6 - Premier Elite DT/Premier Elite CW



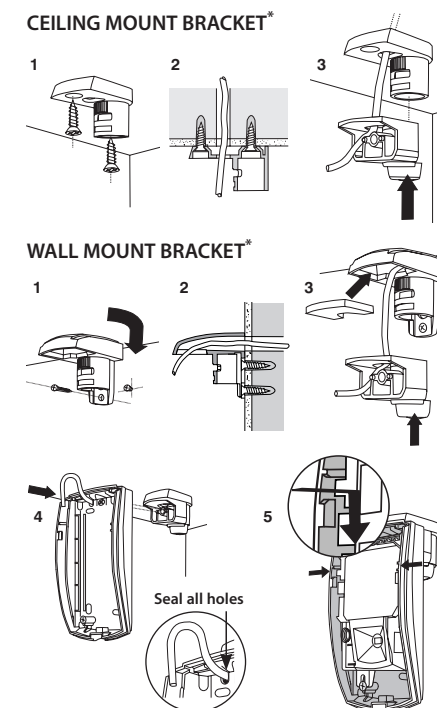
7



8



9



Specifications			
Type	Elite QD	Elite TD	Elite DT/CW
Type Number	AFFA0000-2	AFE0000-2	AFG1000-2/ AFH1000-2
Detector	PIR	PIR	MW PIR
Signal processing	DSP	DSP	DSP
Range	15 m	15 m	15 m
Optical	Fresnel Lens	Fresnel Lens	Fresnel Lens
Input power	9Vdc to 15Vdc (12 Vdc nominal @ 10.6 mA)		
Detector start-up time	60 seconds		
Normal current consumption (mA)	Max. 8	Max. 10	Max. 12
Current consumption in Alarm (mA)	Max. 8	Max. 16	Max. 26
Max current consumption (mA)	Max. 10	Max. 16	Max. 26
Remote LED	12V <input checked="" type="checkbox"/> 0V/NC <input type="checkbox"/>		
Mounting height	Min. 1.5 m (4.1 ft), Max. 3.0 m (10 ft.)		
Target speed range	30 cm/s to 3 m/s (1 ft/s to 10 ft/s)		
Alarm relay	< 24Vdc 50 mA (N/C) 18 Ω		
Tamper relay	< 24Vdc 50 mA (N/C)		
Alarm time	> 2 seconds		
Operating temperature	QD/TD: -20°C to +55°C (-31°F to 130°F) DT/CW: -10°C to +55°C (14°F to 130°F)		
Dimensions (HxWxD)	112mm x 60mm x 40mm		
Relative humidity	Max. 95%		
Weight	QD/TD: 150g DT/CW: 170g		

The Premier Elite DT/CW may be operated in the following countries:
9.35GHz: AUT, BEL, HRV, CYP, CZE, DNK, DEU, HUN, IRL, LVA, LTU, LUX, MLT, NLD, POL, PRT, ROU, SVK, SVN, TUR
9.9GHz: AUT, BEL, HRV, CYP, CZE, DNK, FIN, FRA, GRC, HUN, IRL, ITA, LTU, LUX, MLT, NLD, POL, PRT, ROU, SVN, TUR
10.525GHz: BEL, CYP, DNK, GRC, HUN, IRL, ITA, LVA, LTU, LUX, MLT, NLD, POL, ROU, SVN, ESP, SWE, ISL
10.587GHz: GBR

*Not INCERT & EN50131 approved when mounted on bracket

Contact information: www.texecom



