



## GSM/GPRS Communicator for wireless monitoring & reporting

### GPRS alarm reporting and upload/download

- Available on all Premier Elite and Premier Series Control Panels
- Fixed or dynamic SIM card compatible
- Program panel communicator as 'Com IP'
- Requires Premier Montex and Wintex software



### GSM text messaging for reporting system events and remote arm/disarm

- Available on Premier Elite Control Panels
- Can be used with 'Pay as you go' SIM cards
- Program panel communicator as 'GSM Module'



Designed & made in  
the UK by Texecom

Sales: 01706 220460  
Visit: [www.texecom.com](http://www.texecom.com)



# Premier Elite ComGSM

**Texecom**  
Designed to Perform

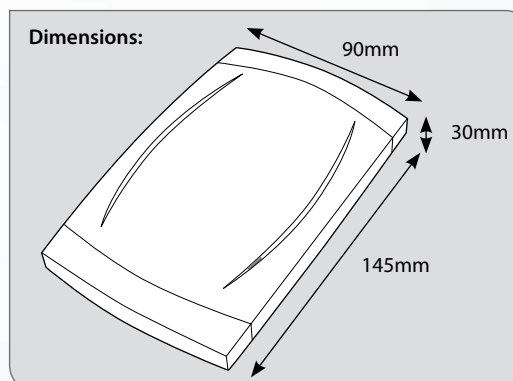
The Premier Elite Com GSM is a 2G module that can be connected to any Premier or Premier Elite control panel; however functionality differs depending on the type of Premier panel installed and the type of SIM card that is used. The tables below show which features are available and the type of SIM card required to enable the services.

Premier Elite Control Panels (24/48/88/168/640*)	SIM Type		Panel Port Type	
	Dynamic IP	Fixed IP	GSM Module	Com IP
Feature				
Report system events (alarms, arm, disarm etc.) via text messaging to mobile telephones	.		.	
Remotely arm, disarm and obtain current status of the alarm system via text messaging	.		.	
Upload/Download Via GSM	.		.	
Alarm reporting to IP enabled receivers (Montex for example) GPRS	.	.		.
Upload/Download Via IP GPRS		.		.

\*Premier Elite 640 available soon

Premier Control Panels (412/816/816 Plus/832)	SIM Type		Panel Port Type	
Feature	Dynamic IP	Fixed IP	GSM Module	Com IP
Alarm reporting to IP enabled receivers (Montex for example) GPRS	.	.		.
Upload/Download Via IP GPRS		.		.

Specifications	
<b>Electrical</b>	
Supply Voltage	9 to 14VDC
Current Consumption	35mA quiescent; 100mA when active
<b>Environmental</b>	
Operating Temperature	-10°C to +55°C
Maximum Humidity	95% non-condensing
<b>Physical</b>	
Dimensions	145mm x 90mm x 30mm
Packed Weight	200g approx.



Designed & made in  
the UK by Texecom

Sales: 01706 220460  
Visit: [www.texe.com](http://www.texe.com)

