

MC 270-S56

High Security Contact for floor mounting



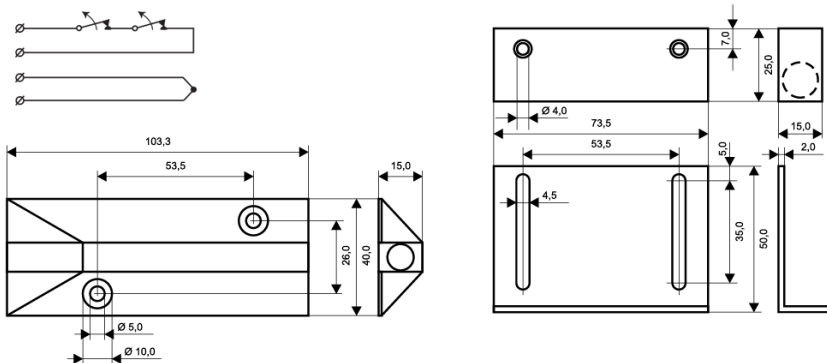
Technical data

| | |
|-----------------------------------|---|
| Installation method | Surface mount |
| Contact function | Normally Closed (NC) |
| Approvals | EN 50131-2-6 Grade 3, Class IIIA, VdS G 116030 Class C, INCERT B-582-1003, SBSC 9-205, Class 3, F&P, NBÚ CZ Typ 3, NBÚ SK Typ 3 |
| Contact rating | 48 VDC / 500 mA / 10 VA |
| Magnet type | Alnico 5 |
| Mounting on steel | Possible without accessories |
| Make distance (wood) mm | 36 |
| Sabotage distance (wood) mm | 20 |
| Make distance (steel) mm | 30 |
| Sabotage distance (steel) mm | 17 |
| Tamper protection | Yes |
| Connection | Cable |
| Housing material | Aluminium |
| Operating temperature range | -40°C - +70°C |
| Housing protection class | IP 67 |
| Contact dimensions (L x W x H) mm | 104 x 40 x 15 |
| Magnet dimensions (L x W x H) mm | 74 x 25 x 15 |
| Grade | 3 |



The MC 270-S56 set is intended for exposed environments where a more durable high security contact is needed, such as garage doors, industrial gates etc.

The set consists of MC 270-C contact with NC contact function installed in MC 200-6 Al housing and an extra strong magnet in MC 200-5 Al housing, which allows for a wide opening gap. The part to be installed to the floor can bear the weight of a vehicle and the enclosed L-bracket (MC L) enables easy installation and a possibility to adjust the magnet part on the door. MC 270-S56 set contains a 1 m long stainless steel Flexi-tube protection (MC T4). Contact and magnet are paired. To ensure proper functionality, do not replace the contact or magnet alone, i.e., the contact can even be installed in steel doors, safety valves, garage doors, etc. The contact part is sealed with special epoxy, making it water resistant.



ORDERING INFORMATION

| Model | Description |
|------------|--|
| MC 270-S56 | High security contact set, NC, 6 m cable |