



## D-TECT 1 Motion Detector

The D-TECT 1 is a BS8418 compliant, highly cost-effective quad PIR external movement detector, which can be used to control cameras, connect to alarm panels and other alarm warning devices. It is equipped with a pan and tilt dual infra-red scanner with two volt-free relay outputs, - programmable beam ranges of 10, 20 and 30 metres.

No other movement detectors are more versatile or offer such a wide range of features to enhance the detection of threats and significantly reduce the incidence of false alarms.

The D-TECT range sets new standards of performance and control

\*D-TECT 1 is not available in the United Kingdom

### PRODUCT CODES

**GJD110** D-TECT 1 Motion detector silver housing

**GJD110W** D-TECT 1 Motion detector white housing

**GJD115** D-TECT 1 Plastic silver housing

#### UNIQUE FEATURES

Adjustable pan and tilt

Selectable range settings

Covert sensor module

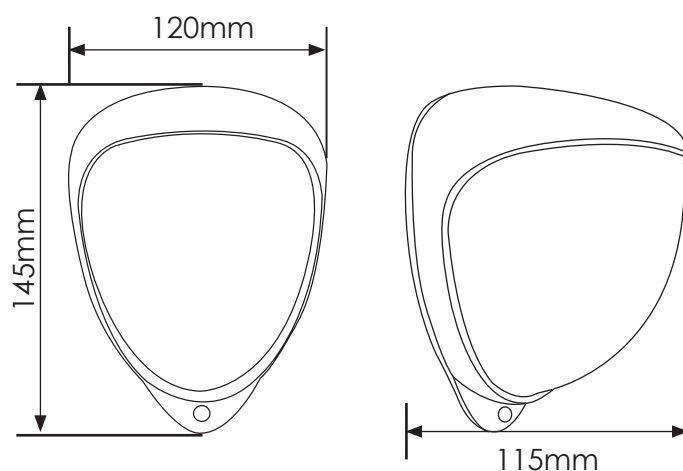
#### END USER BENEFITS

Modern design

Exceptional resistance to false alarms

Easy to install and highly cost effective

### DIMENSIONS

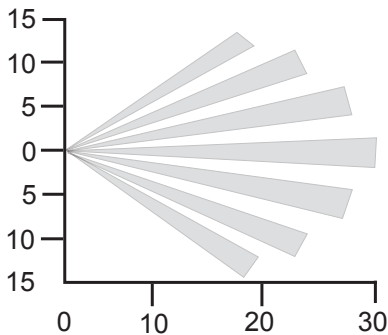


## ACCESSORIES

|               |                            |
|---------------|----------------------------|
| <b>GJD304</b> | Conduit Adaptor            |
| <b>GJD308</b> | "D-Guard" Anti-Vandal Cage |
| <b>GJD380</b> | Walk Tester                |
| <b>GJD305</b> | Pole Mount Bracket         |

|                    |   |
|--------------------|---|
| RANGE              | 10m, 20m or 30m programmable  |
| COVERAGE           | 10° - 70° detection angle, 30m x 30m max                                  |
| ADJUSTMENT         | 180° pan + 90° tilt   |
| MOUNTING HEIGHT    | Up to 6m - Optimum 3m   |
| FRESNEL LENS       | 28 zones for each Pyro pair   |
| CUSTOMISED OPTICS  | Double silicon shielded quad element eliminates 50,000 LUX of white light |
| INDICATORS         | 1 x Blue LED on detection (configurable on/off)                           |
| OUTPUTS            | 2 x volt-free, silent solid state magnetically immune contacts            |
| POWER INPUT        | 9-15 VDC  |
| CURRENT            | 8 mA (12V nominal)  |
| PULSE COUNT        | 1-2   |
| WALK TEST          | Output test mode with LED indication                                      |
| OPERATING TEMP     | -20°C to +55°C conformally coated electronics for increased stability     |
| TEMP. COMPENSATION | Digital sensitivity adjustment  |
| HOUSING            | High impact zinc alloy  |
| PROTECTION RATING  | IP65  |
| DIMENSIONS         | 145 x 120 x 115 mm  |
| WEIGHT             | 740g NET, 870g GROSS  |
| CABLE <200M        | Utilising all 3 outputs (incl. tamper) - 8 core 7/0.2mm                   |
| CABLE <500M        | Utilising all 3 outputs (incl. tamper) - 8 core 16/0.2mm                  |

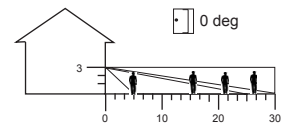
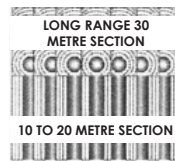
## BEAM PATTERNS



BEAM PATTERNS SET TO MAXIMUM RANGE

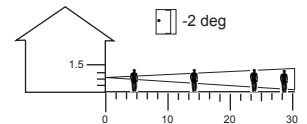
### MULTI-BEAM OPTIMUM

HEIGHT 3 METRES  
RANGE MAXIMUM  
MODULE TILT 0 DEGREE



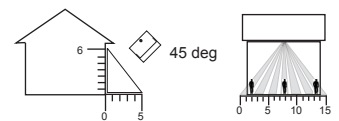
### PET IMMUNITY

HEIGHT 1.5 METRES  
RANGE MAXIMUM  
MODULE TILT -2 DEGREE



### CURTAIN COVERAGE

HEIGHT 6 METRES  
RANGE MAXIMUM  
MODULE TILT 45 DEGREE



Please note GJD reserve the right to change the information within this document, without notice.