

Instruction Manual

Premier Elite OH-W

Wireless Optical & Heat Fire Detector with *Ricochet* mesh technology



Texecom
Designed to Perform



Fig.1

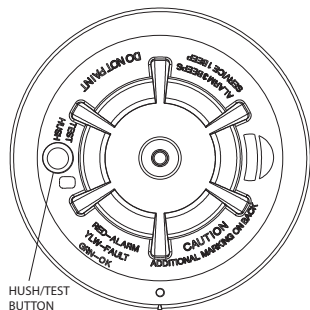


Fig.2

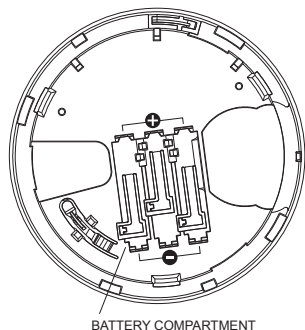


Fig.3

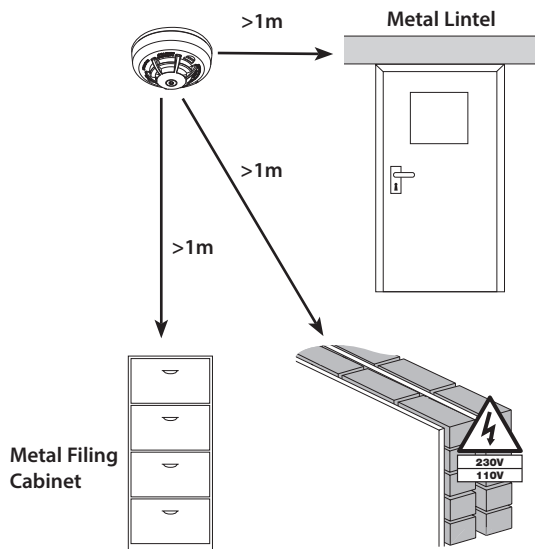
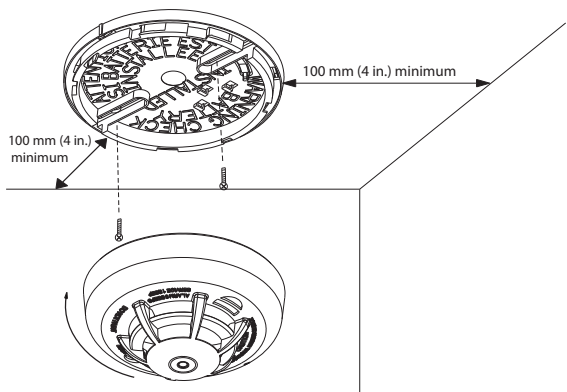


Fig.4



Box Contents

- Wireless optical and heat fire detector (Premier Elite OH-W)
- Pack of screws and fixings
- 3 AAA Duracell Procell MN2400 batteries (1.5 V1100mAh) or equivalent

The Premier Elite OH-W contains a sounder that generates the ASHI s3.41 temporal 3 pattern in an alarm condition.

In alarm, a message is also sent to the control panel and the alarm's zone type and name are displayed at the panel. The message is relayed out to any other configured Premier Elite OH which will also sound a warning alarm. This can be used for area-wide notification of the alarm. To disable this feature, change the device mode of the sensors from 'device specific' to 'always awake'. For more information refer to the compatible Ricochet technology enabled Premier Elite wireless expander (INS467)/control panel instructions (INS176). Tricoloured LED (red, yellow, green) and a sounder on the alarm provide local visual and audible indication of the alarm's status.

After power-up has completed and the alarm is functioning normally, the green LED blinks every 12 seconds.

Alarm Trouble: When the alarm has a general fault, the yellow LED blinks once every four seconds and there is a chirp every 48 seconds.

Alarm Dirty Feature: When the alarm has been contaminated, the yellow LED blinks once every 8 seconds and there is a chirp every 48 seconds.

Low Battery Detection: The Premier Elite OH-W is powered by 3 AAA batteries. The alarm regularly checks for a low battery. If a low battery is detected, the transmitter sends a low battery message to the control panel, that displays the alarm's ID at low battery. In addition, the yellow LED of the alarm blinks every 12 seconds. The alarm's sounder chirps every 48 seconds (yellow LED continues to blink) until the batteries are replaced. Pressing the hush button (See Fig.1) silences the chirping for 12 hours if no other trouble conditions exist. Replace the batteries when the chirping begins.

If you are experiencing low battery issues, check to make sure that you have installed the correct batteries (3 AAA Duracell Procell MN2400).

Inserting and Replacing Batteries

1. Remove the alarm from its base by twisting it counter-clockwise. Remove and dispose of the batteries according to your local regulations.
2. To ensure proper power-down sequence, wait a minimum of 20 seconds before inserting new batteries.
3. Insert 3 AAA Duracell Procell MN2400 batteries in the battery compartment (See Fig.2).
4. Reinstall the alarm onto the mounting base by turning the alarm clockwise until the mating marks align.
5. After the power-up sequence, the green LED should blink about once every 12 seconds to indicate normal operation. If the batteries are not inserted correctly, the alarm will not operate and the batteries may be damaged. If the alarm does not power-up, check for correct battery insertion and for fully charged batteries.
6. Whenever the batteries are replaced always test the operation of the alarm's sounder by pressing the test button (See Fig.1).

Battery Safety

- Do not throw into a fire
- Do not short circuit
- Replace only with same type (AAA)
- Always observe local regulations when disposing of a battery
- Detector will transmit low battery warning when battery needs replacing
- Do not heat
- Do not charge
- Do not disassemble

Learning the device to the system

Do not insert the batteries until you are ready to learn the device to the system. Battery connection will automatically start the learning sequence. Device reverts back to programmed network if receiver is not in learn mode (when replacing battery). For wireless connectivity, detailed programming and system set-up instructions please refer to the compatible Ricochet technology enabled Premier Elite wireless expander/wireless control panel instructions. The Premier Elite OH-W is only compatible with Premier Elite control panels V2.11 and above.

Where NOT to install the Alarm

- Directly above a sink, cooker, stove or oven
- Do not install close to large metal objects or mains wiring (See Fig.3)
- Do not locate alarm within 1.5m of any cooking appliance
- Next to a door or window that would be affected by drafts (extractor fan or air vent)
- Outside
- In or below a cupboard
- Where air flow would be obstructed by curtains or furniture
- Where dirt or dust could collect and block the sensor
- Where it could be knocked, damaged, or inadvertently removed
- Where the normal ambient temperature is below 4.4 C or where it exceeds 37.8 C

Mounting the Alarm (See Fig.4)

1. Install the mounting base on the ceiling or on the wall. Use the 2 screws and anchors provided. Maneuver the base so the screws are at the elbow of the screw slots and secure.
2. Fit the alarm inside the base by aligning it over the base as shown (alarm's alignment notch should be slightly offset from the mounting base tamper release tab), then turn the alarm clockwise until the alarm clicks into the base.

Testing

Test alarm sounder, LEDs and transmitter:

1. Hold the Test button for 3 beeps (approximately 6 seconds).
 2. Release the Test button.
 3. Once released, the product will continue to beep 3 more times.
 4. The Test button is to test the sounder on the detector only.
- Please note: No signal will be transmitted back to the control panel.

Smoke Test

Hold a cotton wick at the side of the alarm and gently blow smoke through the alarm until the smoke triggers the alarm. You can also use smoke aerosol.

Direct Heat Test (Use Hair Dryer). Direct heat toward the alarm. Hold the heat source about 30cm from the alarm to avoid damage to the plastic. The alarm resets only after it has time to cool.

If an alarm fails any of these tests, see Maintenance for how to clean the alarm.

Maintenance

Clean the alarm once a year. To clean the alarm, remove it from the mounting base. You can clean the interior using compressed air or a vacuum cleaner. Blow or vacuum through the openings around the perimeter of the alarm. The outside of the alarm can be wiped with a damp cloth. After cleaning, test the alarm by pushing the Test button. If cleaning does not restore the alarm to normal operation you need to replace the alarm.

Standards	
Alarm Systems:	EN14604, EN50131-5-3, EN50131-1, PD6662:2010, Grade 2 Class II
EMC:	EN50130-4: ETSI EN301
R&TTE:	ETSI EN300-220
Environmental:	EN50130-5
Frequency Band: (See product label)	868.0 - 868.6 MHz 866.0 - 866.6 MHz 433.05 - 434.79 MHz
Receiver:	Category 1, Class 2
Receiver LBT (Listen Before Talk)	Yes
Transmitter Duty Cycle	868MHz<1%, 866MHz<1%, 433MHz<10%
Low Voltage Signal	2.85V
Operating Voltage	3V

Specifications	
Unique ID codes	Over 1 billion
Supervisory Interval	15 minutes
Spacing rating	21m
Audible Signal	85dBA min. in alarm
Sensitivity	5 - 3.5%/foot
Max current	50mA
Alarm Current	20mA
Supervisory Current	25 uA
Battery Life	Up to 1.5 years
Operating temp.	4.4°C to 37.8°C
Dimensions	125mm x 63mm high
Relative humidity	Max. 90%
Weight (Inc Batteries)	243g
Warranty	2 years (excluding batteries)

The *Premier Elite OH-W* is designed to detect the presence of fire and activate an alarm control panel. As the *Premier Elite OH-W* is not a complete alarm system, but only a part thereof, Texecom cannot accept responsibility or liability for any damages whatsoever based on a claim that the *Premier Elite OH-W* failed to function correctly. These instructions are intended as a guide only, always consult Local and National Standards where applicable. Due to our policy of continuous improvement Texecom reserves the right to change specification without prior notice.



Certificate Number: FM 35285

